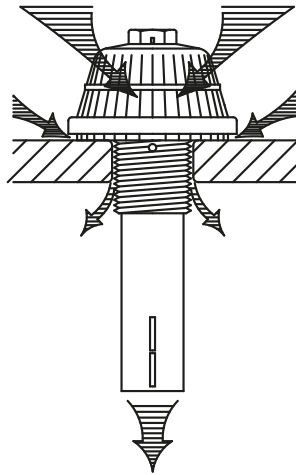


Tobera filtrante K1/KR1

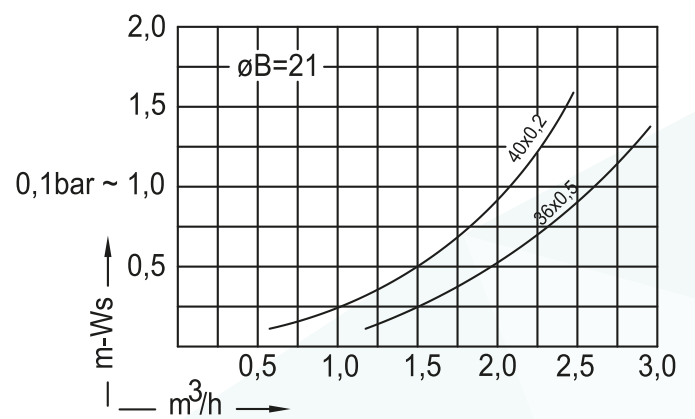
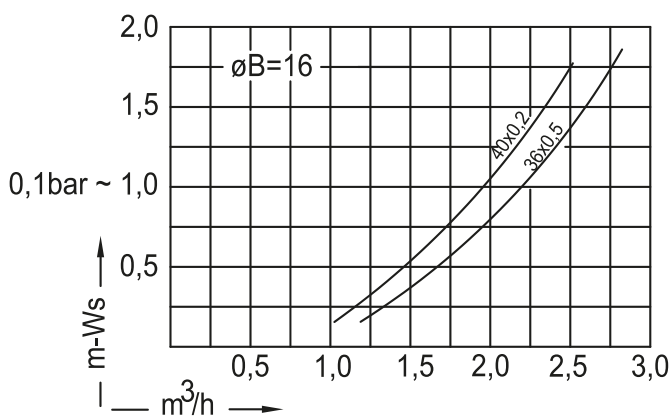
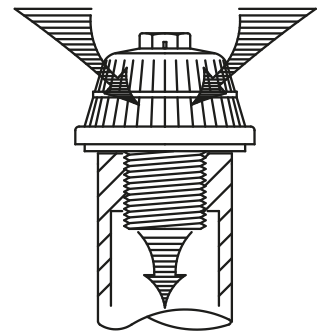
KSH



Typ K1

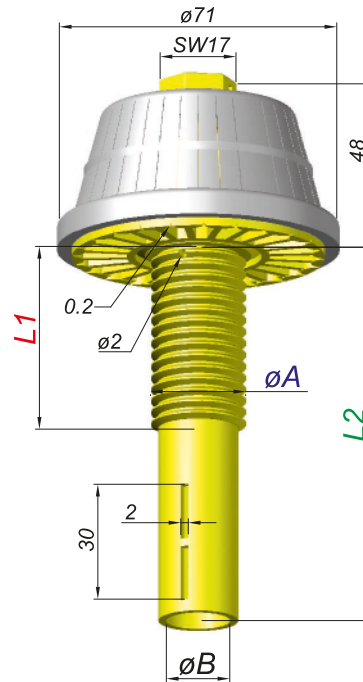


Typ KR1



Tobera filtrante K1/KR1

ESPECIFICACIONES



Ranuras	Rosca	ϕA	Longitud de la rosca $L1$	Longitud de conducto $L2$	ϕB
$40 \times 0.2 = 1.95 \text{ cm}^2$	G1"	33.25	20	80,110,140,200,250,300,350, ...	$21 = 3.4 \text{ cm}^2$
$36 \times 0.35 = 2.96 \text{ cm}^2$	1 1/4" WW	32	20, 30, 45, +5+5...		
$20 \times 0.5 = 2.35 \text{ cm}^2$	M30 x 3.5	30	30	80,110,140,200,250,300,350, ...	$16 = 2.0 \text{ cm}^2$
$36 \times 0.5 = 4.23 \text{ cm}^2$	G3/4"	26.5	20,30,45, +5+5...		
$20 \times 0.8 = 3.78 \text{ cm}^2$	1" WW	25.4	20,45, +5+5...	80,110,140,200,250,300,350, ...	$13 = 1.3 \text{ cm}^2$
$36 \times 1.0 = 8.46 \text{ cm}^2$	M24	24	25,45, +5+5...		
$24 \times 1.5 = 7.05 \text{ cm}^2$	M22 x 1.5	22	45, +5+5...	80,110,140,200, ...	
$20 \times 2.0 = 9.50 \text{ cm}^2$	G1/2"	21	12, 20, 40		
	M20	20	45, +5+5...		
	G3/8"	16.7	20		

