

Installation, Operation and Maintenance Manual

OneFlow[®] Anti-Scale System

OneFlow[®] Anti-Scale System Chemical-Free, Salt-Free Scale Prevention

Model OF744-10

Model OF844-12

Model OF948-16

Model OF1054-20

Model OF1252-30

Introduction

The Watts OneFlow[®] system provides protection from scale formation throughout the plumbing system. The OneFlow[®] system can be installed at the point of entry to treat your entire system, both hot and cold water, or it can be located directly before a water heater or other device (e.g. steamer, etc) that requires protection from hard water.

OneFlow[®] reduces or eliminates scale formation on internal and external plumbing surfaces as well as reducing spotting and streaking normally associated with hard water.

OneFlow[®] prevents scale by transforming the normal dissolved hardness minerals into undissolved crystal micro-particles. These crystals stay suspended in the water and have a greatly reduced ability to react and attach to surfaces like dissolved hardness does. Therefore, the problem of internal buildup of scale in pipes, water heaters and on fixtures and glass is greatly reduced.

OneFlow[®] is not a water softener – Low or phosphate-free cleaning products are recommended to achieve optimum results. Modern surfactant or detergent based, liquid soaps are preferred over old-fashioned caustic solid soaps.

Unlike softened water, OneFlow[®] treated water maintains the beneficial essential mineral content of your water and is safe to drink.

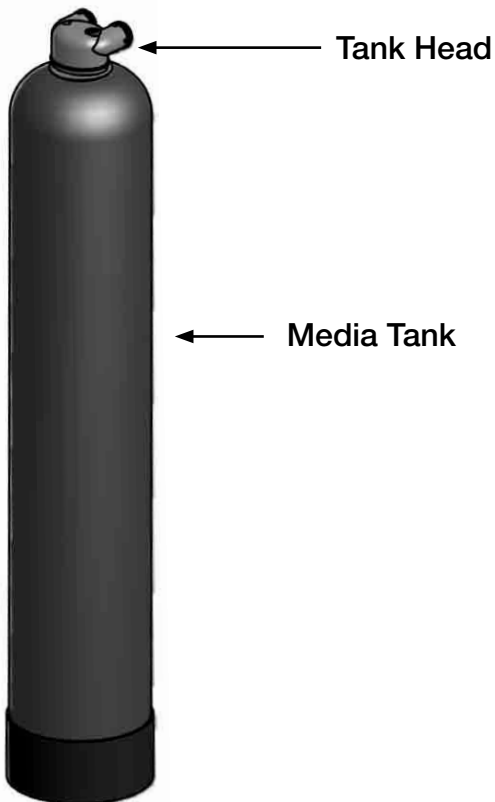


WATTS[®]

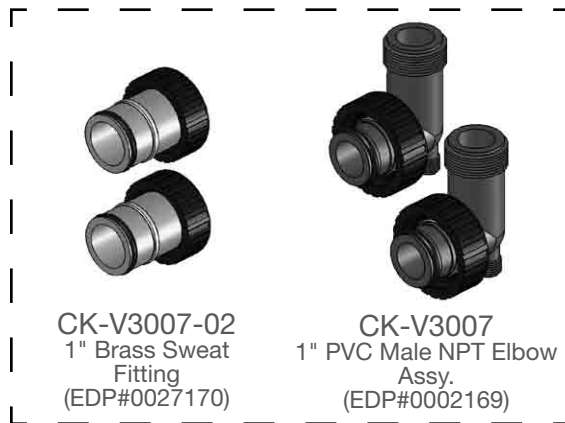
OneFlow® Benefits

- Chemical free scale prevention. Provides cost savings and environmental benefits
- Virtually maintenance free. No salt bags or other chemicals to buy, transport and store
- No electricity, no wastewater, completely self-contained
- Beneficial minerals retained for more healthful drinking water
- Improves the efficiency of water-using appliances.
- Simple installation – no electrical and drain hookup
- Safe for landscaping and lawn watering. No need for costly bypass plumbing
- Compatible with all on-site and community wastewater treatment systems
- Not subject to water softener restrictions and “bans”

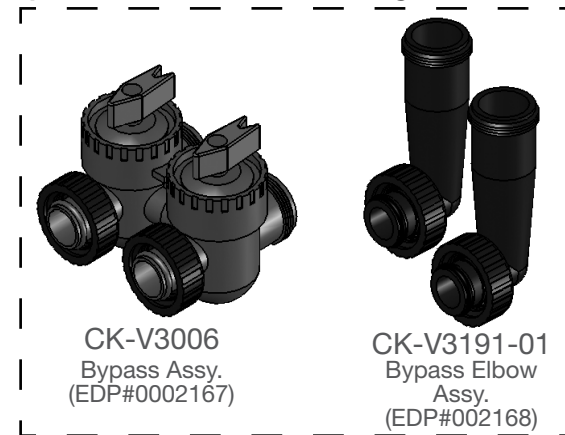
System Overview



Typical Connection Fittings

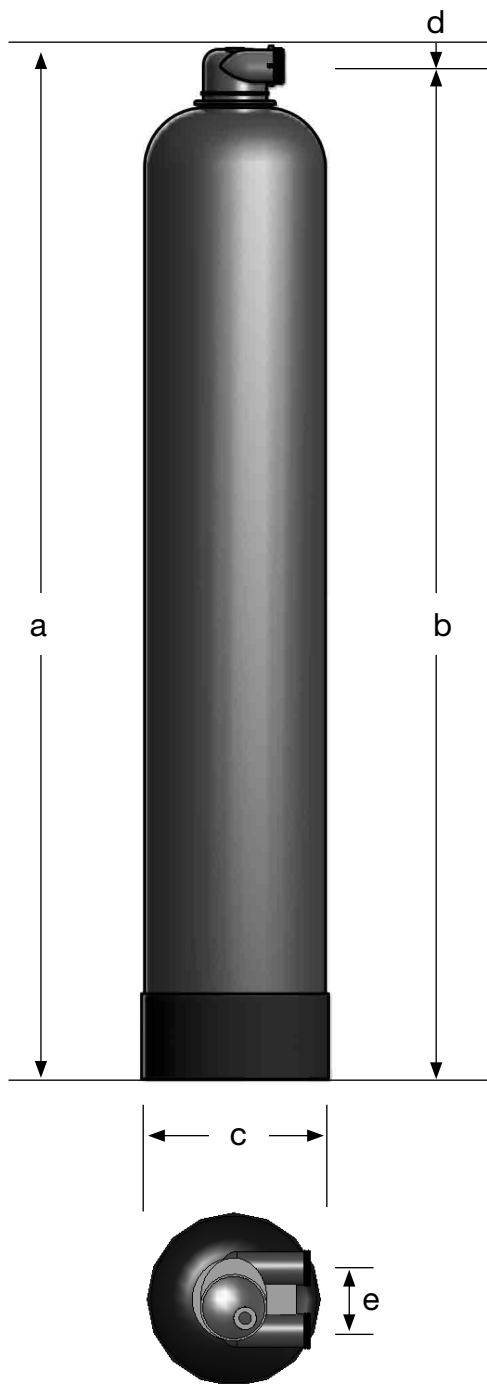


Optional Connection Fittings



Equipment Specifications

Watts OneFlow® systems are complete, self-contained, loaded with media and ready to use. A simple inlet and outlet connection is all that is required for installation. Please review operating pressures, temperatures and water chemistry limitations to ensure compatibility.



Specifications

Inlet/Outlet Connection	3/4" - 1 1/4" (multiple options)
Temperature	40° - 110°F
pH	6.5 to 8.5
Ferrous Iron, Max*	0.3 mg/L
Manganese, Max*	0.05 mg/L
Copper, Max*	1.3 mg/L
Water Pressure (psi)	15psi min., 100psi max

* See note about iron, manganese and copper on the next page.

Mechanical Specifications

Model	744	844	948	1054	1252
Max Service Flow (gpm)	10	12	16	20	30
Dry Weight (lbs)	22	25	29	35	43
Service Weight (lbs)	80	97	129	168	235

Dimensions (nominal - inches)

	744	844	948	1054	1252
a	47	47	49	58	55
b	46	46	48	57	54
c	7	8	9	10	12
d	1.0	1.0	1.0	1.0	1.0
e	3.0	3.0	3.0	3.0	3.0

Using OneFlow® with other water treatment equipment.

Due to the unique properties of OneFlow®, there are some unique requirements for using OneFlow® in conjunction with filtration or other forms of water treatment.

1. OneFlow® must be the last stage in the treatment chain. Do not install any filters after OneFlow® or before any devices for which scale prevention is required. POU drinking water filters, e.g. carbon or RO are exempt from this requirement.
2. Do not apply phosphate or any other antiscalant either before or after OneFlow®.



Important note about iron, manganese and copper in the water supply

Iron and Manganese

Just as with conventional water softening media, OneFlow® needs to be protected from excess levels of certain metals that can easily coat the active surface, reducing its effectiveness over time. Public water supplies rarely, if ever, present a problem. However, if the water supply is from a private well, confirm that the levels of iron (Fe) and manganese (Mn) are less than 0.3 mg/L and 0.05 mg/L respectively. Copper should be less than 1.3 mg/L.

Copper

Copper usually originates from new copper plumbing upstream of the OneFlow® system. If this condition exists, we recommend waiting 3-4 weeks before placing the system in operation. This will allow the copper surfaces to be fully flushed and develop a natural protective surface. To further minimize any problem with excess copper, avoid applying excess flux on the inner surfaces of the pipe and use a low-corrosivity water soluble flux listed under the ASTM B813 standard. Once the plumbing connections are complete, place the OneFlow® system in bypass prior to following the startup procedure and flush the plumbing for at least 10 minutes.



Cautions!

- Do not let the system freeze. Damage to the tank may result.
- System must be operated in a vertical position. Do not lay it down during operation. The system may be placed in any position for shipping and installation but must be operated in the vertical position.
- Place the system on a smooth, level surface. Because the system operates in an UP-Flow, fluidized bed mode, having a level surface is more important than with a softener or media filter.
- A bypass valve should be installed on every system to facilitate installation and service.
- Observe all local plumbing and building codes when installing the system.

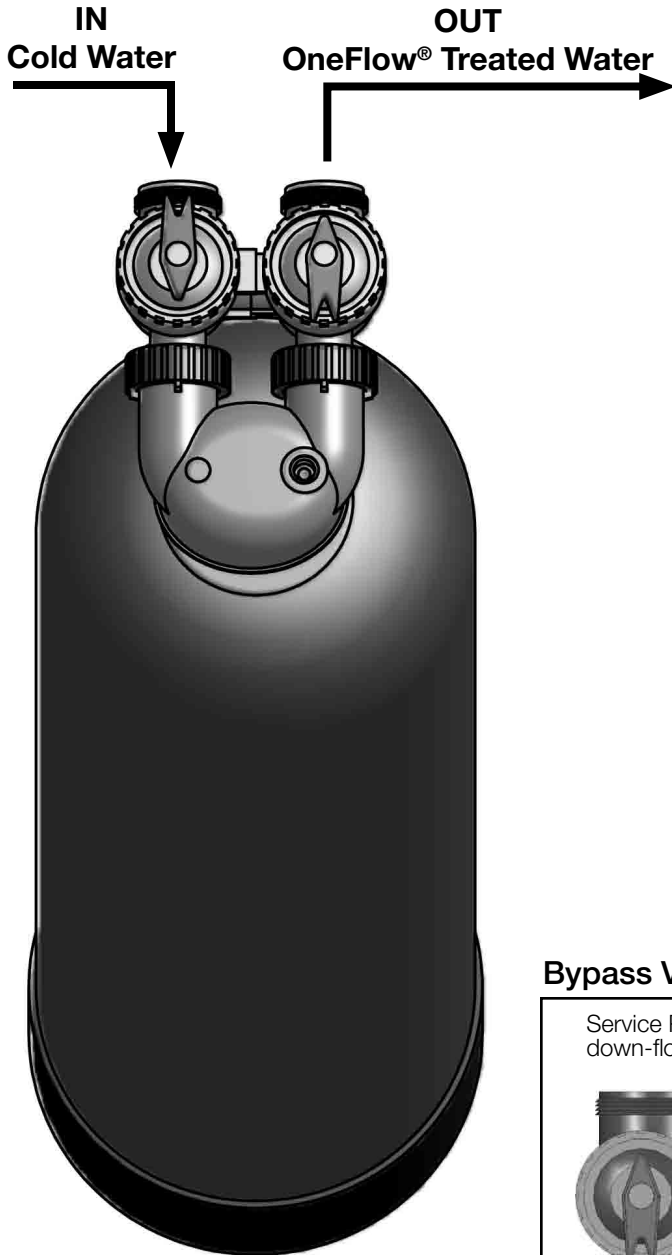


Notes to the Installer

The OneFlow® system differs from a conventional softener or media filter in a number of key respects.

- The system is light and only partially filled with media. This is normal. The UP-flow operation of the system requires a lot of freeboard to allow the bed to fully fluidize.
- The system has no underbed so you can tip the system over without any fear of upsetting the media. This makes transportation and installation much easier than conventional systems.
- Because the OneFlow® system operates in the UP-flow mode, the tank connections are opposite of traditional installations.
- Please see the “Important note about iron, manganese and copper in the water supply” above.
- Please see the note about “Using OneFlow® with other water treatment equipment” on the previous page.

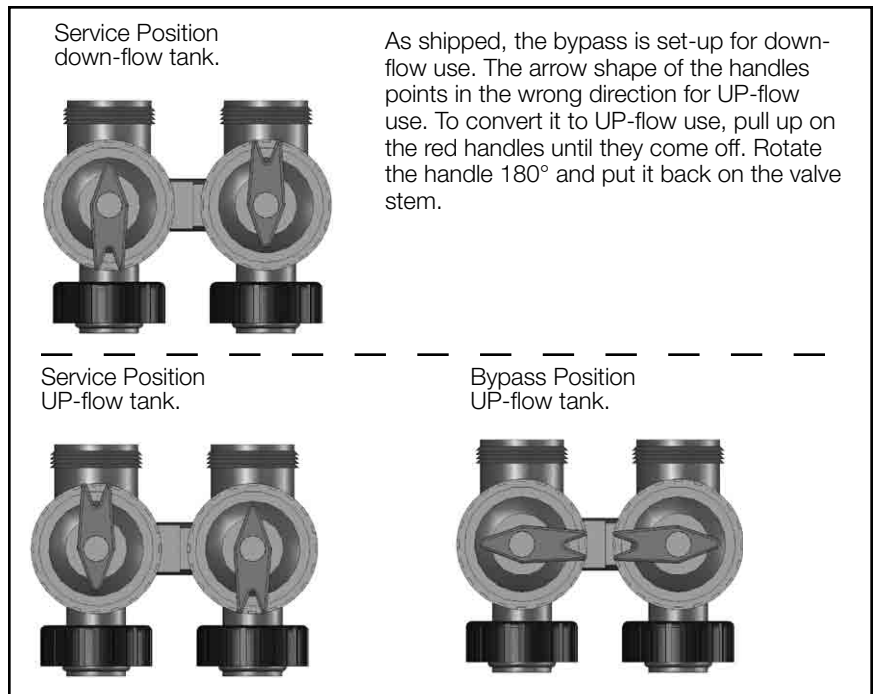
Installation and Start-up



1. Place the system in the desired location.
2. Connect the cold water supply to the inlet of the OneFlow® system.
NOTE: The OneFlow® system operates in the UP-flow mode which is opposite of a conventional softener.
3. Place a bucket under the outlet port or run a line from the outlet port to a drain.
5. Slowly open the supply valve (user supplied) to the OneFlow® system. Allow the tank to fill with water. Close the supply valve when a steady stream of water comes out of the outlet port.
6. Connect the outlet of the OneFlow® system to the cold water supply of the building.
7. Open the supply valve to the OneFlow® system.
8. Open faucets downstream from the OneFlow® system to relieve any air.
9. Check for leaks. Repair as needed.
10. The system is now ready for service.

Figure 1.
Model OF844-12 shown with optional bypass assembly.

Bypass Valve Modification



Note to the building owner

Your OneFlow® system will improve the properties of water throughout your building. Here are some things to expect and some recommendations for maximizing the benefits and your enjoyment of OneFlow®



Sinks and fixtures - should have little or no spotting. If water is allowed to evaporate off a surface, small spots may be left behind. This spotting should not require any more than a wet cloth or sponge to remove. No harsh chemical should be required as with typical hard water spotting.

Dishwasher-Spotting on dishes and on the surface of the dishwasher should be greatly reduced or eliminated. We recommend that you immediately reduce the amount of dishwashing detergent by approximately 50% as compared to hard water use. Dishwashing detergents low in phosphates are highly recommended as they are better for the environment and phosphates can cause spotting. In very hard water areas, the use of a rinse aid may be advised.



Shower doors and tiles- should have little or no spotting. When water evaporates off a surface, small spots may be left behind. These spots should be easy to remove with a damp cloth or sponge.



In the bath you should notice that soaps and shampoos lather more than with un-treated water. Soaps and shampoos will also rinse off much easier and faster than they would with traditional soft water. We recommend the use of modern soaps for the best results.



Things to watch for:

During the first 30-90 days:

- Faucet aerators and drains may plug occasionally as old scale is removed from your plumbing system and water heater.
- You may also see milky water while the descaling is taking place. This is simply an increase in the calcium in the water because OneFlow® is removing old scale deposits from your pipes.

Good practices:

If your dishwasher is severely coated with scale at the time of installation, we recommend that you purchase a product like Jet-Dry® Dishwasher cleaner to accelerate the cleaning. After this initial cleaning OneFlow® should keep it clean.

We also recommend that you drain your water heater tank. This should be done 30 to 60 days after OneFlow® is installed, and again in one year. This is a good practice that can dramatically increase the life of your water heating appliance. The OneFlow® will help keep the tank and heating elements free of scale and operating at peak efficiency. Please follow the manufacturers instructions when draining the tank!

Limited Warranty

- The OneFlow® tank system is warranted to be free of defects in materials and workmanship for 5 years from the date of original shipment.
- The OneFlow® media is warranted for performance for a period of 2 years from the date of the original installation when installed and operated in accordance with the instructions in the corresponding Installation and Operation Manual.

Watts Regulator Company warrants its OneFlow® cartridge systems as follows:

- The OneFlow® cartridge system is warranted to be free of defects in materials and workmanship for 1 year from the date of original shipment.
- OneFlow® cartridges are warranted for performance for a period of one year from the date of original installation when installed and operated in accordance with the instructions in the corresponding Installation and Operation Manual.
- Carbon replacement filter cartridges are not warranted to perform for any period of time because the service life of replacement carbon filter cartridges varies significantly with local water conditions and volume.

Conditions

1. The OneFlow® system must be installed in applications with municipally supplied water adhering to EPA guidelines.
2. Any component failure must not result from abuse, fire, freezing or other acts of nature, violence, or improper installation.
3. Equipment must be installed and operated in compliance with the local plumbing codes and on an approved water supply.
4. Equipment is limited to use at water pressures and temperatures that do not exceed our published specifications.
5. Water supply must not exceed 2.0 PPM chlorine. For water supply exceeding 2.0 PPM chlorine, pretreatment is required. (Please contact your water treatment specialist.)
6. Information, including model number, serial number, and date of installation, must be provided for any claims pertaining to equipment in warranty.
7. Defective parts are subject to inspection by either Watts Regulator Company or any authorized representative before final commitment of warranty adjustment is made.
8. Watts Regulator Company reserves the right to make changes or substitutions in parts or equipment with material of equal quality or value and of then current production.

Limitations

Our obligation under this warranty with respect to the tank or valve is limited to furnishing a replacement for, or at our option, repairing any part or parts to our satisfaction that prove defective within the warranty period stated above. Such replacement parts will be delivered to the owner F.O.B. nearest factory, at no cost, excluding freight and local labor charges, if any.

Our obligation under this warranty with respect to the OneFlow® media will be limited to furnishing a replacement for the media within two years from date of original installation. Such replacement media will be delivered to the owner F.O.B. nearest factory, at no cost, excluding freight and local labor charges, if any. Damage to the media due to chlorine, other oxidizers or fouling caused by local water conditions or any other operation outside of the limits shown under Specifications, is not covered by this warranty.

THE WARRANTY SET FORTH HEREIN IS GIVEN EXPRESSLY AND IS THE ONLY WARRANTY GIVEN BY WATTS REGULATOR COMPANY WITH RESPECT TO THE PRODUCT. WATTS REGULATOR COMPANY MAKES NO OTHER WARRANTIES, EXPRESS OR IMPLIED. WATTS REGULATOR COMPANY HEREBY SPECIFICALLY DISCLAIMS ALL OTHER WARRANTIES, EXPRESS OR IMPLIED, INCLUDING BUT NOT LIMITED TO THE IMPLIED WARRANTIES OF MERCHANTABILITY AND FITNESS FOR A PARTICULAR PURPOSE.

The remedy described under this warranty shall constitute the sole and exclusive remedy for breach of warranty, and Watts Regulator Company shall not be responsible for any incidental, special or consequential damages, including without limitation, freight, handling, lost profits or the cost of repairing or replacing other property which is damaged if this product does not work properly, other costs resulting from labor charges, delays, vandalism, negligence, fouling caused by foreign material, damage from adverse water conditions, chemical, or any other circumstances over which Watts Regulator Company has no control. This warranty shall be invalidated by any abuse, misuse, misapplication or improper installation of the product.

Some states do not allow limitations on how long an implied warranty lasts, and some states do not allow the exclusion or limitation of incidental or consequential damages. Therefore the above limitations may not apply to you. This warranty gives you specific legal rights, and you may have other rights that vary from state to state. You should consult applicable state laws to determine your rights. SO FAR AS IS CONSISTENT WITH APPLICABLE STATE LAW, ANY IMPLIED WARRANTIES THAT MAY NOT BE DISCLAIMED, INCLUDING THE IMPLIED WARRANTIES OF MERCHANTABILITY AND FITNESS FOR A PARTICULAR PURPOSE, ARE LIMITED IN DURATION TO THE APPLICABLE WARRANTY PERIODS STATED ABOVE.

CALIFORNIA PROPOSITION 65 WARNING

WARNING: This product contains chemicals known to the State of California to cause cancer and birth defects or other reproductive harm.

(California law requires this warning to be given to customers in the State of California.)

For more information: www.watts.com/prop65



A Watts Water Technologies Company



USA: 815 Chestnut St., No. Andover, MA 01845-6098; www.watts.com

Canada: 5435 North Service Rd., Burlington, ONT. L7L 5H7; www.wattscanada.ca

Manual de instalación, funcionamiento y mantenimiento

OneFlow[®] Anti-Scale System

Sistema antisarro OneFlow[®]
**Prevención de sarro sin sustancias
químicas, sin sal**

Modelo OF744-10

Modelo OF844-12

Modelo OF948-16

Modelo OF1054-20

Modelo OF1252-30

Introducción

El sistema OneFlow[®] de Watts brinda protección contra la formación de sarro en todo el sistema de cañerías. El sistema OneFlow[®] puede instalarse en el punto de entrada para tratar todo el sistema, tanto de agua caliente como fría, o bien puede localizarse directamente antes de un calentador de agua u otro dispositivo (por ejemplo un vaporizador) que requiera protección contra el agua dura.

OneFlow[®] reduce o elimina la formación de sarro en las superficies internas y externas de las cañerías, y reduce las manchas y rayas que generalmente se producen con agua dura.

OneFlow[®] previene el sarro al transformar los minerales de dureza disueltos normales en micropartículas de cristal sin disolver. Estos cristales se mantienen suspendidos en el agua y tienen una capacidad muy reducida para reaccionar y adherirse a superficies tal como lo hacen los de dureza disueltos. Por lo tanto, el problema de la acumulación interna de sarro en las cañerías, calentadores de agua y en artefactos y vidrios se reduce notablemente.

OneFlow[®] no es un ablandador de agua. Para obtener resultados óptimos se recomienda el uso de productos de limpieza con bajo contenido de fosfato o sin fosfato. Los jabones líquidos tensoactivos o a base de detergente modernos son preferibles en lugar de los antiguos jabones cáusticos y sólidos .

A diferencia del agua ablandada, el agua tratada con OneFlow[®] mantiene el contenido mineral esencial y beneficioso del agua y es segura para beber.



WATTS[®]

Ventajas de OneFlow®

- Prevención de sarro sin sustancias químicas. Permite ahorrar costos y beneficiar al medio ambiente
- Prácticamente no necesita mantenimiento. No se necesita comprar, transportar ni almacenar bolsas de sal u otros químicos
- Sin uso de electricidad, sin desperdicio de agua, completamente autónomo.
- Los minerales beneficiosos se conservan para beber un agua más saludable
- Mejora la eficacia de los artefactos que utilizan agua
- Instalación simple: no se necesitan conexiones eléctricas ni de desagüe
- Seguro para el riego de céspedes y jardines. No requiere costosas cañerías de derivación
- Es compatible con todos los sistemas de tratamiento de agua residual in situ y comunitarios
- No está sujeto a las restricciones o "prohibiciones" de los ablandadores de agua

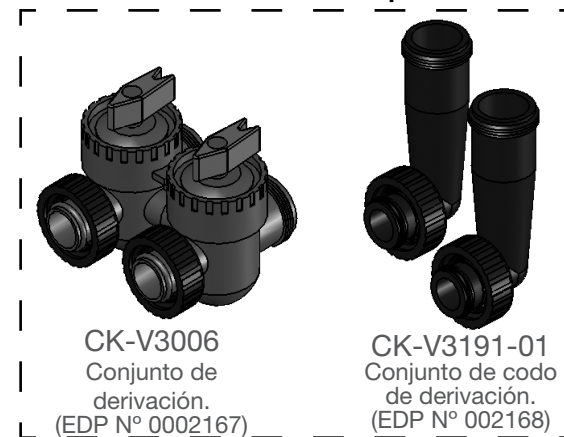
Descripción general del sistema



Accesorios de conexión típicos

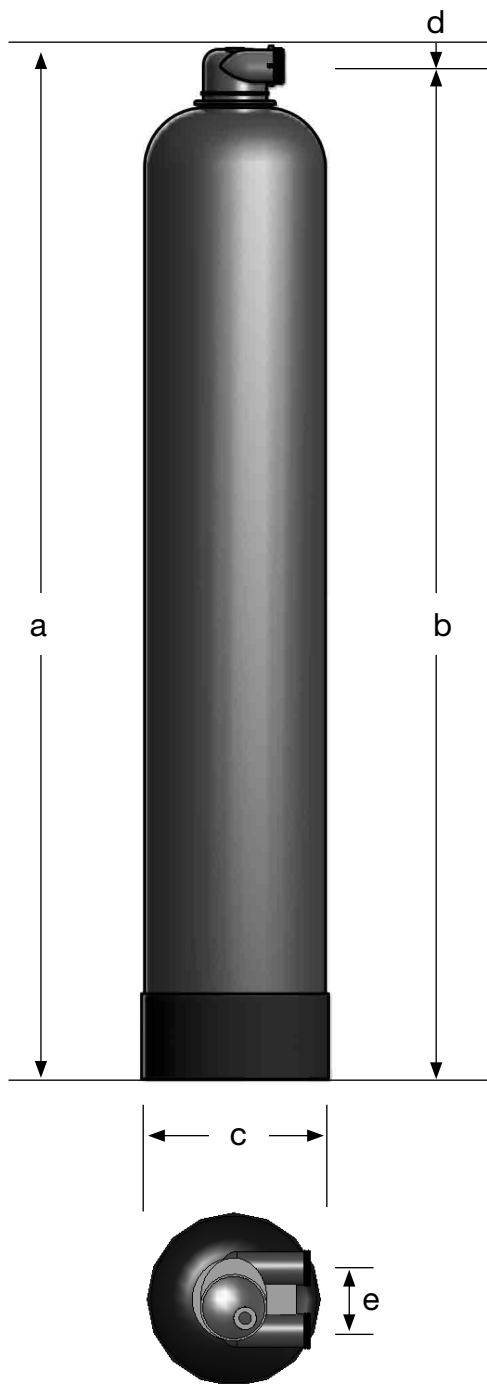


Accesorios de conexión opcionales



Especificaciones del equipo

Los sistemas OneFlow® de Watts son completos, autónomos, tienen material cargado y están listos para usar. Para instalarlos sólo se necesita una simple conexión de entrada y de salida. Observar las limitaciones operativas acerca de las presiones, temperaturas y composición química del agua a fin de garantizar la compatibilidad.



Especificaciones

Conexión de entrada/salida	3/4" - 1 1/4" (opciones múltiples)
Temperatura	40 - 110 °F
pH	6,5 a 8,5
Hierro ferroso, máx.*	0,3 mg/L
Manganeso, máx.*	0,05 mg/L
Cobre, máx.*	1,3 mg/L
Presión del agua (psi)	15 psi mín., 100 psi máx.

* Ver el aviso acerca de la presencia de hierro, manganeso y cobre en la página siguiente.

Especificaciones mecánicas

Modelo	744	844	948	1054	1252
Caudal de servicio máx. (gpm)	10	12	16	20	30
Peso seco (libras)	22	25	29	35	43
Peso de servicio (libras)	80	97	129	168	235

Dimensiones (nominal - pulgadas)

	744	844	948	1054	1252
a	47	47	49	58	55
b	46	46	48	57	54
c	7	8	9	10	12
d	1,0	1,0	1,0	1,0	1,0
e	3,0	3,0	3,0	3,0	3,0

Uso de OneFlow® con otros equipos de tratamiento del agua.

Debido a las propiedades únicas de OneFlow®, existen algunos requisitos especiales para usar OneFlow® junto con tratamientos por filtración u otros métodos de tratamiento del agua.

- OneFlow® debe ser la última etapa en la cadena de tratamiento. No instalar ningún filtro luego de OneFlow® o antes de cualquier dispositivo para el que se requiera la prevención de sarro. Este requisito no es necesario para los filtros de agua potable en el punto de uso, como por ejemplo de carbono u ósmosis inversa.
- No aplicar fosfato ni cualquier otro inhibidor de sarro ya sea antes o después de OneFlow®.



Aviso importante acerca de la presencia de hierro, manganeso y cobre en el suministro de agua

Hierro y manganeso

Tal como los materiales convencionales para ablandar el agua, OneFlow® necesita protección contra los niveles excesivos de ciertos metales que pueden cubrir fácilmente la superficie activa y reducir su eficacia con el paso del tiempo. El suministro de agua pública raramente o nunca presenta problemas. Sin embargo, si el suministro de agua proviene de un pozo privado, confirme que los niveles de hierro (Fe) y manganeso (Mn) sean inferiores a 0,3 mg/L y 0,05 mg/L respectivamente. El cobre deberá ser inferior a 1,3 mg/L.

Cobre

El cobre generalmente se origina de cañerías de cobre nuevas corriente arriba del sistema OneFlow®. Si se presenta esta situación, recomendamos esperar de 3 a 4 semanas antes de poner el sistema en funcionamiento. Esto permitirá que las superficies de cobre sean completamente purgadas y desarrollen una superficie protectora natural. Para minimizar cualquier problema causado por un exceso de cobre, evitar aplicar fundente en exceso en las superficies internas de la cañería y usar uno de los fundentes de baja corrosión solubles en agua incluidos en la norma ASTM B813. Una vez terminadas las conexiones de las cañerías, colocar el sistema OneFlow® en derivación antes de comenzar el proceso de arranque y purgar la cañería durante al menos 10 minutos.



¡Advertencias!

- No permitir que el sistema se congele. El depósito podría dañarse.
- El sistema debe funcionar en posición vertical. No colocarlo en posición horizontal durante su funcionamiento. El sistema puede ubicarse de cualquier posición para el transporte y la instalación, pero durante su funcionamiento debe estar en posición vertical.
- Colocar el sistema en una superficie lisa y plana. Debido a que el sistema funciona en un modo de lecho fluidificado y caudal ascendente, el hecho de tener una superficie nivelada es más importante que en el caso de los ablandadores o filtros de materiales.
- En cada sistema se deberá instalar una válvula de derivación para facilitar la instalación y el mantenimiento.
- Al instalar el sistema, respetar todos los códigos locales relativos a las cañerías y a la construcción.



Notas para el instalador

En varios aspectos fundamentales, el sistema OneFlow® es diferente a los ablandadores o filtros de materiales convencionales.

- El sistema es liviano y se llena sólo parcialmente con el material. Esto es normal. El funcionamiento de caudal ascendente del sistema requiere que haya mucho margen libre para permitir que el lecho se fluidifique totalmente.
- El sistema no posee un lecho inferior, por lo tanto se puede dar vuelta sin ningún temor de volcar los materiales. Esto hace que el transporte y la instalación sean mucho más simples que en los sistemas convencionales.
- Debido a que el sistema OneFlow® funciona en el modo de caudal ascendente, las conexiones del depósito son opuestas a las instalaciones tradicionales.
- Leer el "Aviso importante acerca de la presencia de hierro, manganeso y cobre en el suministro de agua" antes detallado.
- Leer el aviso acerca del "Uso de OneFlow® con otros equipos de tratamiento de agua" que se encuentra en la página anterior.

Instalación y arranque

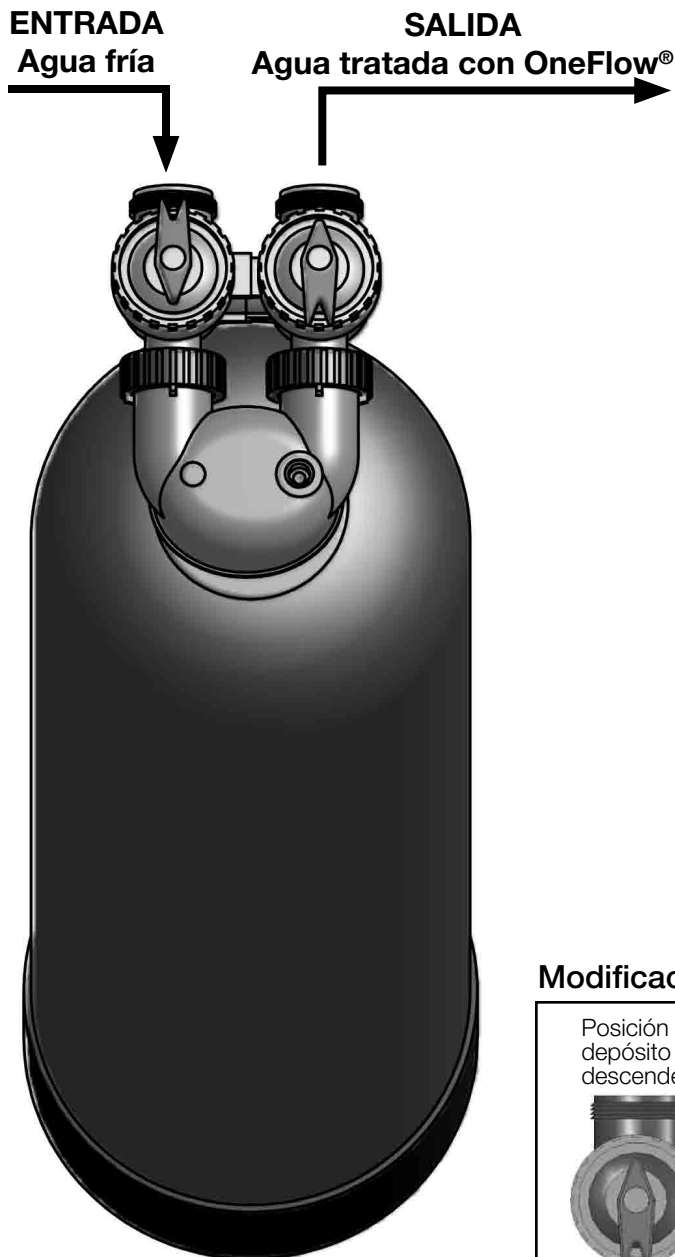
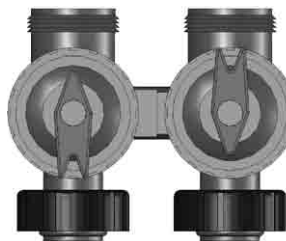


Figura 1.
Modelo OF844-12 con el conjunto de derivación opcional.

1. Colocar el sistema en la ubicación deseada.
2. Conectar el suministro de agua fría a la entrada del sistema OneFlow®.
 NOTA: El sistema OneFlow® funciona en el modo de caudal ascendente a diferencia de un ablandador convencional.
3. Colocar un cubo debajo del puerto de salida o conectar una tubería del puerto de salida a un desagüe.
4. Abrir lentamente la válvula de suministro (provista por el usuario) al sistema OneFlow®. Dejar que el depósito se llene con agua. Cerrar la válvula de suministro cuando salga un chorro de agua constante por el puerto de salida.
5. Conectar la salida del sistema OneFlow® al suministro de agua fría del inmueble.
6. Abrir la válvula de suministro al sistema OneFlow®.
7. Abrir las llaves de corriente abajo desde el sistema OneFlow® para eliminar el aire.
8. Verificar que no haya fugas. Repararlas si es necesario.
9. El sistema ahora está listo para ser utilizado.

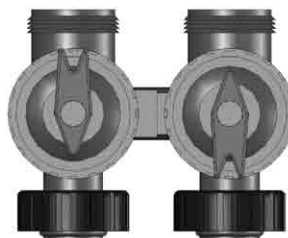
Modificación de la válvula de derivación

Posición de servicio depósito de caudal descendente.

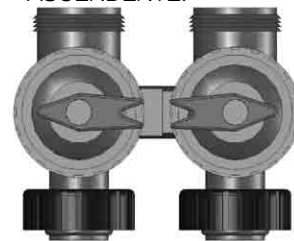


Como se envía, la derivación está lista para el usarse con caudal descendente. La flecha de las manillas señala la dirección incorrecta para el uso con caudal ASCENDENTE. Para cambiarlo al uso con caudal ASCENDENTE, tirar de las manillas rojas hasta que se salgan. Girar la manilla a 180° y volver a colocarla en el vástago de la válvula.

Posición de servicio depósito de caudal ASCENDENTE.



Posición de derivación depósito de caudal ASCENDENTE.



Nota para el propietario del inmueble

Su sistema OneFlow® mejorará las propiedades del agua en todo su inmueble. Aquí hay algunos puntos que pueden esperar y algunas recomendaciones para optimizar los beneficios y disfrutar al máximo de OneFlow®.



Fregaderos y artefactos:

tendrán pocas manchas o ninguna. Si se deja evaporar el agua de una superficie, podrán quedar pequeñas manchas. Para limpiar estas manchas no se requerirá más que un trapo mojado o esponja. A diferencia de las manchas típicas ocasionadas

por el agua dura, no se necesitan sustancias químicas agresivas.

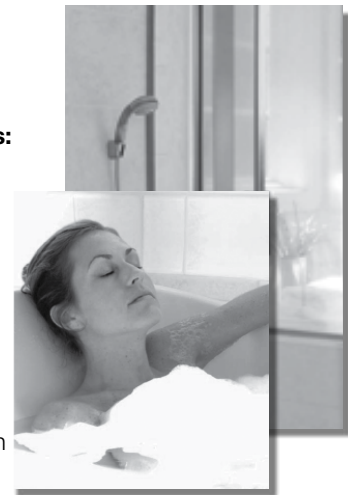
Lavavajillas: las manchas en los platos y en la superficie del lavavajillas se eliminarán o reducirán en gran medida

Recomendamos reducir de inmediato la cantidad de detergente en el lavavajillas al 50% aproximadamente en comparación con el uso con agua dura. Los detergentes para lavavajillas con bajo contenido de fosfato son altamente recomendados ya que son mejores para el medio ambiente y los fosfatos pueden generar manchas. En zonas con agua muy dura, se aconseja el uso de un complemento de enjuague.



Puertas y azulejos de duchas:

tendrán pocas manchas o ninguna. Cuando el agua se evapora de una superficie, pueden quedar pequeñas manchas. Estas manchas se podrán limpiar fácilmente con un trapo húmedo o una esponja.



En el baño: podrá notar que los jabones y champúes hacen más espuma que con el agua sin tratamiento. Los jabones y champúes también se podrán enjuagar más fácil y rápidamente que con agua blanda tradicional. Recomendamos el uso de jabones modernos para obtener mejores resultados.

Puntos a observar:

Durante los primeros 30 a 90 días:

- Los drenajes y aireadores de llaves pueden obstruirse ocasionalmente a medida que se remueve el sarro viejo de su sistema de cañerías y calentador de agua.
- Es posible que también se observe agua lechosa mientras se produce la eliminación de sarro. Esto es simplemente un incremento del calcio en el agua debido a que OneFlow™ está removiendo los depósitos de sarro viejos de sus cañerías.

Buenas prácticas:

Si su lavavajillas se encuentra muy cubierto con sarro al momento de la instalación, le recomendamos comprar un producto como el limpiador para lavavajillas Jet-Dry® para acelerar la limpieza. Luego de esta limpieza inicial, OneFlow® mantendrá la limpieza.

También recomendamos que desagote el depósito del calentador de agua. Esto debería efectuarse de 30 a 60 días luego de instalar OneFlow®, y luego una vez más al transcurrir un año. Ésta es una buena costumbre que puede prolongar drásticamente la vida útil de su artefacto para calentar el agua. OneFlow® ayudará a mantener el depósito y los elementos de calentamiento libres de sarro y funcionando con la máxima eficacia. Siga las instrucciones del fabricante al desagotar el depósito.

Garantía limitada

- El sistema de depósito OneFlow® está garantizado como libre de defectos en materiales y manufactura por 5 años desde la fecha del envío original.
- El material OneFlow® está garantizado en cuanto a su rendimiento por un período de 2 años desde la fecha de la instalación original en tanto se haya instalado y utilizado de acuerdo a las instrucciones del Manual de instalación y uso correspondiente.

Watts Regulator Company garantiza sus sistemas de cartuchos OneFlow® como se describe a continuación:

- El sistema de cartuchos OneFlow® está garantizado como libre de defectos en materiales y manufactura por 1 año desde la fecha del envío original.
- Los cartuchos OneFlow® están garantizados en cuanto a su rendimiento por un período de un año desde la fecha de la instalación original en tanto se hayan instalado y utilizado de acuerdo a las instrucciones del Manual de instalación y uso correspondiente.
- No se garantiza el funcionamiento de los cartuchos de repuesto para filtros de carbono por ningún período dado que la vida útil de los cartuchos de repuesto para filtros de carbono varía significativamente de acuerdo a las condiciones y el volumen del agua local.

Condiciones

1. El sistema OneFlow® debe instalarse en aplicaciones con agua suministrada a nivel municipal que cumpla con las normas de la Agencia de Protección Ambiental de Estados Unidos (U.S. Environmental Protection Agency, EPA).
2. Los fallos en los componentes no deben producirse como consecuencia de uso indebido, incendio, congelamiento u otros factores como fuerzas de la naturaleza, actos de violencia o instalación incorrecta.
3. El equipo debe instalarse y utilizarse de conformidad con los códigos locales relativos a las cañerías y con un suministro de agua aprobado.
4. El uso del equipo está limitado a las temperaturas y presiones de agua que no excedan nuestras especificaciones publicadas.
5. El suministro de agua no debe exceder 2 ppm de cloro. En suministros de agua que excedan 2 ppm de cloro, se requiere tratamiento previo. (Contactar al especialista en tratamiento de agua.)
6. Para cualquier reclamo en relación con los equipos en garantía, se debe proporcionar información incluyendo el número de modelo, el número de serie y la fecha de instalación.
7. Las piezas defectuosas están sujetas a inspección por parte de Watts Regulator Company o cualquier representante autorizado antes de que se asuma el compromiso final de ajuste de garantía.
8. Watts Regulator Company se reserva el derecho a realizar cambios o sustituciones en las piezas o el equipo por materiales de valor o calidad equivalente y producción vigente en el momento.

Limitaciones

Nuestra obligación bajo la presente garantía con respecto al depósito o la válvula está limitada al reemplazo o la reparación, a nuestra elección, de cualquier pieza o piezas a nuestra satisfacción con defectos comprobados dentro del período de garantía antes estipulado. Tales piezas de repuesto serán entregadas al propietario bajo condición Libre a bordo (Free on Board, FOB) en la fábrica más cercana, sin costo alguno, sin incluir gastos de flete y mano de obra local, de corresponder.

Nuestra obligación bajo la presente garantía con respecto al material OneFlow® estará limitada a suministrar repuestos por el material durante dos años desde la fecha de la instalación original. Tales materiales de repuesto serán entregados al propietario bajo condición Libre a bordo (Free on Board, FOB) en la fábrica más cercana, sin costo alguno, sin incluir gastos de flete y mano de obra local, de corresponder. Esta garantía no cubre los materiales dañados a causa del cloro, otros oxidantes o la contaminación por las condiciones del agua local o cualquier otra operación fuera de los límites indicados en la sección Especificaciones.

LA GARANTÍA AQUÍ ESTIPULADA SE OTORGA EN FORMA EXPRESA Y ES LA ÚNICA GARANTÍA OTORGADA POR WATTS REGULATOR COMPANY EN RELACIÓN CON EL PRODUCTO. WATTS REGULATOR COMPANY NO OTORGA NINGUNA OTRA GARANTÍA, YA SEA EXPRESA O IMPLÍCITA. WATTS REGULATOR COMPANY POR LA PRESENTE RENUNCIA ESPECÍFICAMENTE A TODAS LAS DEMÁS GARANTÍAS, EXPRESAS O IMPLÍCITAS, INCLUYENDO SIN LIMITACIÓN, LAS GARANTÍAS IMPLÍCITAS DE APTITUD PARA LA COMERCIALIZACIÓN E IDONEIDAD PARA UN PROPÓSITO EN PARTICULAR.

La reparación descrita en esta garantía constituirá el único y exclusivo resarcimiento por incumplimiento de garantía, y Watts Regulator Company no se hará responsable por daños fortuitos, especiales o derivados, incluyendo sin limitación, los gastos de flete y manipuleo, la pérdida de ganancias o el costo de reparación o reemplazo de otra propiedad que resulte dañada por el mal funcionamiento de este producto, otros costos resultantes por mano de obra, retardos, vandalismo, negligencia, contaminación ocasionada por materiales extraños, daños a causa de condiciones adversas del agua, sustancias químicas o cualquier otra circunstancia sobre la cual Watts Regulator Company no tenga control. Esta garantía no tendrá validez en cualquier caso de abuso, uso indebido, aplicación incorrecta o instalación inadecuada del producto.

Algunos estados no permiten limitaciones en la duración de una garantía implícita y otros estados no permiten la exclusión o limitación de daños fortuitos o derivados. Por lo tanto, es posible que las limitaciones anteriores no sean aplicables en su caso. Esta garantía le otorga derechos legales específicos. Usted podría tener también otros derechos que varían según el Estado en cuestión. Usted debe consultar las leyes estatales aplicables para determinar sus derechos. EN LA MEDIDA EN QUE SEA CONGRUENTE CON LAS LEYES ESTATALES APLICABLES, CUALQUIER GARANTÍA IMPLÍCITA QUE NO SEA RECHAZADA, INCLUYENDO LAS GARANTÍAS IMPLÍCITAS DE APTITUD PARA LA COMERCIALIZACIÓN E IDONEIDAD PARA UN PROPÓSITO EN PARTICULAR, SE LIMITA EN SU DURACIÓN A LOS PERÍODOS DE GARANTÍA APLICABLES ESTIPULADOS PRECEDENTEMENTE.

ADVERTENCIA DE ACUERDO CON LA PROPOSICIÓN 65 DE CALIFORNIA

ADVERTENCIA: Este producto contiene químicos que el Estado de California considera que causan cáncer y defectos de nacimiento u otros daños durante la gestación.

(La ley del Estado de California requiere que se proporcione esta advertencia a los clientes de dicho estado.)

Para más información: www.watts.com/prop65



Una compañía de Watts Water Technologies

IOM-OF744/844/948/1054/1252 1017



EE.UU.: 815 Chestnut St., No. Andover, MA 01845-6098; www.watts.com

Canadá: 5435 North Service Rd., Burlington, ONT. L7L 5H7; www.wattscanada.ca

EDP N° 1915998

© 2010 Watts

Manuel d'installation, de fonctionnement et d'entretien

OneFlow[®] Anti-Scale System

Système antitartre OneFlow[®]
Prévention contre le tartre
sans produits chimiques ni sel

Modèle OF744-10

Modèle OF844-12

Modèle OF948-16

Modèle OF1054-20

Modèle OF1252-30

Introduction

Le système OneFlow[®] de Watts offre une protection contre la formation de tartre pour l'intégralité du système de plomberie. Le système OneFlow[®] peut être installé au point d'entrée pour traiter la totalité du système d'eau chaude et d'eau froide, ou il peut être placé directement avant un chauffe-eau ou un autre appareil (par exemple une machine à vapeur, etc.) nécessitant une protection contre l'eau dure.

Le système OneFlow[®] réduit ou élimine la formation de tartre sur les surfaces de plomberie internes et externes et réduit également les taches et les trainées généralement associées à l'eau dure.

OneFlow[®] permet d'éviter le tartre en transformant les minéraux dissous de dureté normale en microparticules de cristal non dissoutes. Ces cristaux restent en suspension dans l'eau et leur capacité à réagir et à se fixer sur les surfaces est considérablement réduite comparée aux minéraux durs dissous. En conséquence, le problème d'accumulation de tartre interne dans les tuyaux, les chauffe-eaux ainsi que sur les appareils et le verre est considérablement réduit.

OneFlow[®] n'est pas un adoucisseur d'eau. Des produits de nettoyage sans phosphate ou à faible teneur en phosphate sont recommandés pour atteindre les meilleurs résultats. Les agents de surface et les savons liquides à base de détergent modernes sont préférables aux savons solides caustiques à l'ancienne.

Contrairement à l'eau adoucie, l'eau traitée par OneFlow[®] conserve sa teneur en minéraux essentiels et peut être bue.

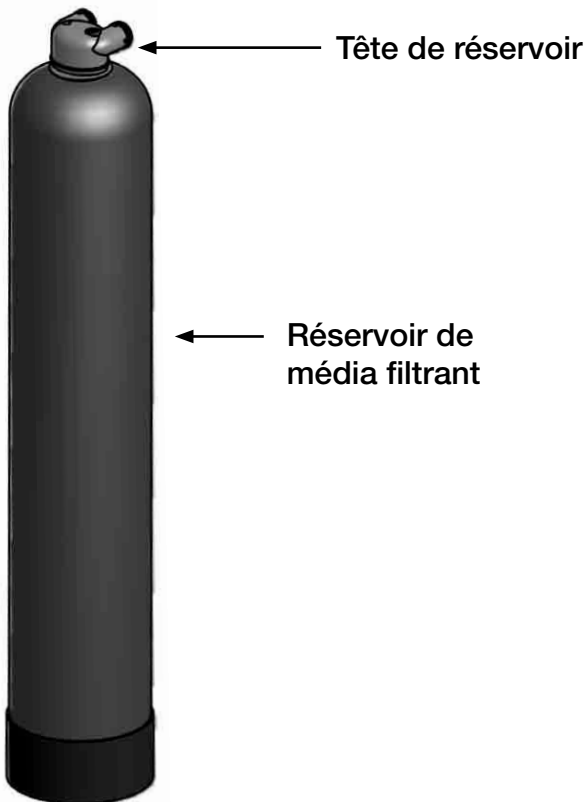


WATTS[®]

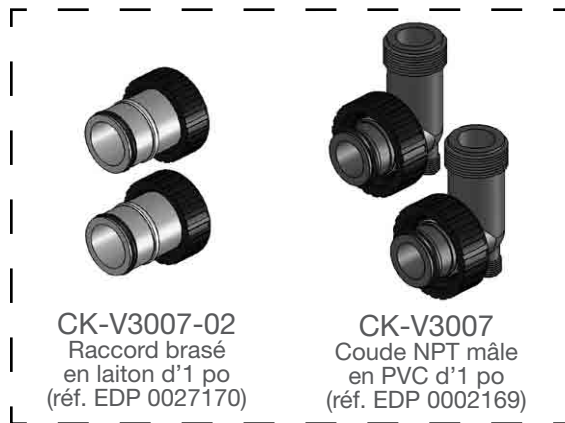
OneFlow®

- Prévention contre le tartre sans produits chimiques. Permet de réaliser des économies et respecte l'environnement.
- Pratiquement sans entretien. Pas de sacs de sel ou d'autres produits chimiques à acheter, transporter et stocker.
- Pas d'électricité et d'eau usée, entièrement autonome.
- Les minéraux bienfaisants sont conservés pour produire une eau potable plus saine.
- Améliore l'efficacité des appareils électroménagers fonctionnant à l'eau.
- Installation simple, sans connexion électrique ni évacuation requise.
- Convient au paysagisme et à l'arrosage des gazons. Aucun besoin de plomberie de dérivation coûteuse.
- Compatible avec tous les systèmes de traitement des eaux usées collectifs et sur site.
- Non soumis aux restrictions et interdictions concernant les adoucisseurs d'eau.

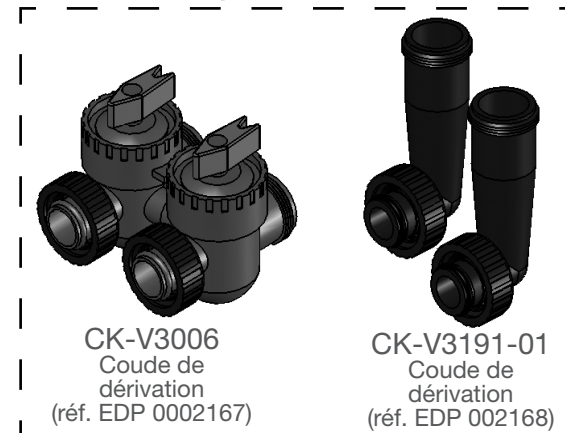
Présentation du système



Raccords typiques

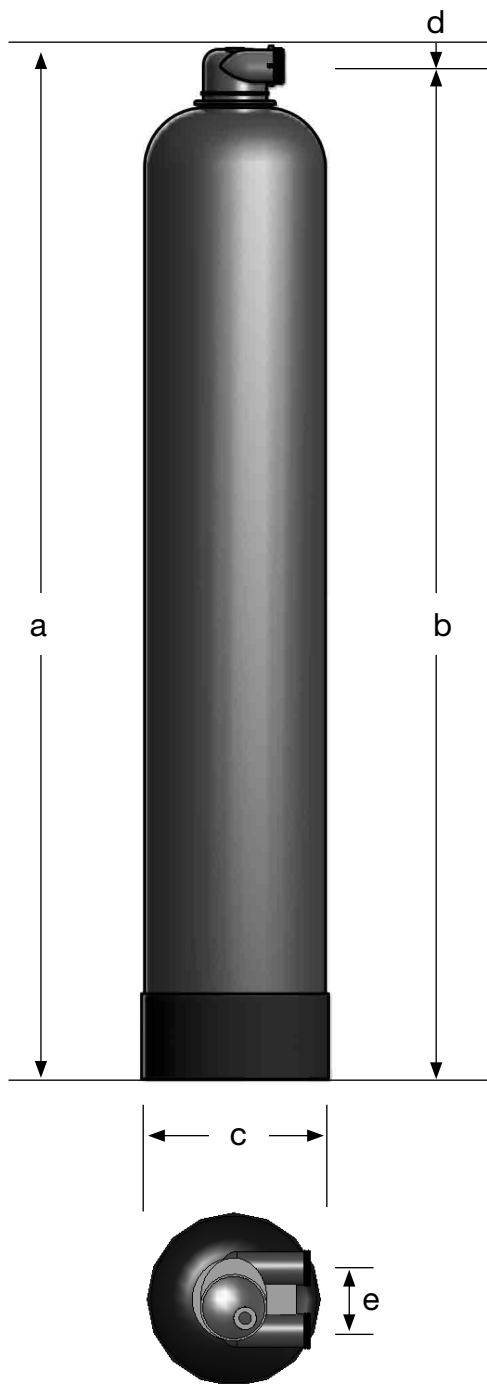


Raccords en option



Spécifications de l'équipement

OneFlow® de Watts sont complets, autonomes, chargés de média filtrant et prêts à l'emploi. Un simple raccord d'entrée et de sortie est requis pour l'installation. Consulter les pressions, températures et limites chimiques de l'eau pour le fonctionnement afin d'assurer la compatibilité.



Spécifications

Raccord d'entrée et de sortie	3/4 po - 1 1/4 po (options multiples)
Température	4 - 43 °C (40 - 110 °F)
pH	6,5 à 8,5
Fer ferreux, max.*	0,3 mg/l
Manganèse, max.*	0,05 mg/l
Cuivre, max.*	1,3 mg/l
Pression de l'eau (psi)	15 psi min., 100 psi max.

* Voir la remarque concernant le fer, le manganèse et le cuivre à la page suivante.

Spécifications mécaniques

Modèle	744	844	948	1054	1252
Débit d'utilisation maximum (gal./min)	10	12	16	20	30
Poids sec (livres)	22	25	29	35	43
Poids de fonctionnement (livres)	80	97	129	168	235

Dimensions (nominales - pouces)

	744	844	948	1054	1252
a	47	47	49	58	55
b	46	46	48	57	54
c	7	8	9	10	12
d	1,0	1,0	1,0	1,0	1,0
e	3,0	3,0	3,0	3,0	3,0

Utilisation du système OneFlow® avec un autre équipement de traitement de l'eau

En raison des propriétés uniques du système OneFlow®, il existe certaines exigences uniques à respecter lors de l'utilisation du système OneFlow® avec un système de filtration ou d'autres formes de traitement de l'eau.

1. Le système OneFlow® doit être situé à la dernière place sur la chaîne de traitement. Ne pas installer de filtre après le système OneFlow® ou avant tout appareil nécessitant une prévention contre le tartre. Les filtres d'eau potable au point d'utilisation, tels que les filtres au charbon ou à osmose inverse, ne sont pas concernés par cette exigence.
2. Ne pas appliquer de phosphate ou d'autre produit antitartre avant ou après le système OneFlow®.



Remarque importante concernant la présence de fer, de manganèse et de cuivre dans l'alimentation en eau

Fer et manganèse

Comme avec les médias d'adoucissement de l'eau conventionnels, le système OneFlow® doit être protégé des niveaux excessifs de certains métaux pouvant recouvrir la surface active, réduisant son efficacité avec le temps. L'eau du service public présente très rarement un problème. Cependant, si l'alimentation en eau provient d'un puits privé, confirmer que les niveaux de fer (Fe) et de manganèse (Mn) sont inférieurs à 0,3 mg/l et 0,05 mg/l respectivement. La teneur en cuivre doit être inférieure à 1,3 mg/l.

Cuivre

Le cuivre provient généralement d'un système de plomberie neuf en amont du système OneFlow®. Si cette condition est présente, il est recommandé d'attendre 3 à 4 semaines avant de mettre le système en service. Ceci permettra aux surfaces en cuivre d'être bien rincées et de développer une surface protectrice naturelle. Pour minimiser encore plus les problèmes dus à un excès de cuivre, éviter d'appliquer un flux excessif sur les surfaces internes du tuyau et utiliser un flux soluble à l'eau à faible corrosion conforme à la norme ASTM B813. Une fois les raccords de plomberie effectués, placer le système OneFlow® en dérivation avant de commencer la procédure de démarrage et rincer la plomberie pendant au moins 10 minutes.



Attention!

- Ne pas laisser le système geler. Ceci pourrait endommager le réservoir.
- Le système doit être utilisé à la verticale. Ne pas l'allonger durant le fonctionnement. Le système peut être placé dans n'importe quelle position pour l'expédition et l'installation mais il doit être utilisé en position verticale.
- Placer le système sur une surface lisse et plate. Puisque le système fonctionne en mode de débit ascendant à lit fluidisé, l'installation sur une surface plate est encore plus importante qu'avec un adoucisseur ou un filtre à média filtrant.
- Un robinet de dérivation doit être installé sur chaque système pour faciliter l'installation et l'entretien.
- Respecter tous les codes de plomberie et de construction locaux lors de l'installation du système.



Avis à l'installateur

Le système OneFlow® diffère des adoucisseurs conventionnels ou des filtres à média filtrant sur plusieurs points clés.

- Le système est léger et partiellement rempli de média filtrant uniquement. Ceci est normal. Le fonctionnement en débit ascendant du système nécessite un grand espace libre pour que le lit puisse complètement se fluidiser.
- Le système n'est pas muni d'un sous-lit de sorte qu'il peut être incliné sans crainte de renverser le média filtrant. Ceci facilite considérablement le transport et l'installation, comparé aux systèmes conventionnels.
- Le système OneFlow® fonctionnant en mode de débit ascendant, les raccords du réservoir sont à l'opposé des installations traditionnelles.
- Consulter la remarque importante concernant la présence de fer, de manganèse et de cuivre dans l'alimentation en eau, ci-dessus.
- Consulter également la remarque concernant l'utilisation du système OneFlow® avec un autre équipement de traitement de l'eau à la page précédente.

Installation et démarrage

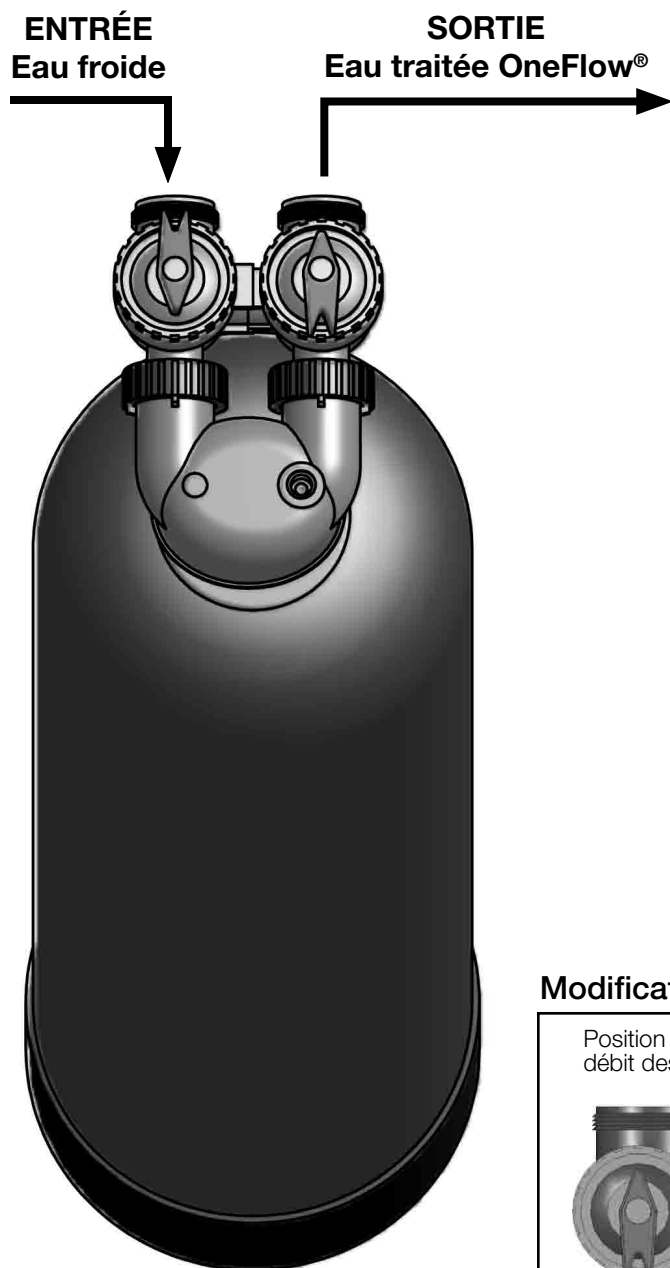
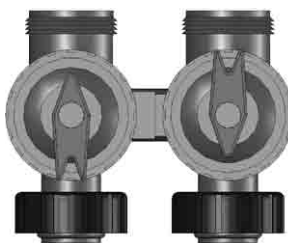


Figure 1.
Modèle OF844-12 illustré avec système de dérivation en option.

1. Placer le système à l'emplacement désiré.
2. Raccorder l'alimentation en eau froide à l'entrée du système OneFlow®.
REMARQUE : Le système OneFlow® fonctionne en mode de circulation ascendante, à l'opposé d'un adoucisseur d'eau conventionnel.
3. Placer un seau sous l'orifice de sortie ou acheminer une conduite de l'orifice de sortie à une évacuation.
4. Ouvrir lentement le robinet d'alimentation (fourni par l'utilisateur) du système OneFlow®. Laisser le réservoir se remplir d'eau. Fermer le robinet d'alimentation lorsque un filet d'eau régulier s'écoule de l'orifice de sortie.
5. Raccorder la sortie du système OneFlow® à l'alimentation en eau froide du bâtiment.
6. Ouvrir le robinet d'alimentation du système OneFlow®.
7. Ouvrir les robinets en aval du système OneFlow® pour dissiper l'air.
8. Inspecter pour toute fuite éventuelle. Effectuer les réparations nécessaires.
9. Le système est maintenant prêt à être utilisé.

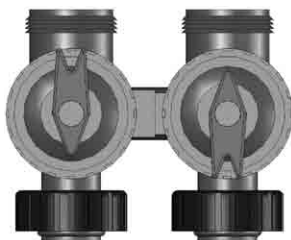
Modification du robinet de dérivation

Position de service débit descendant.

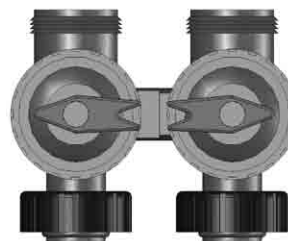


La dérivation est réglée pour une utilisation en débit descendant à l'expédition. La flèche de la poignée pointe dans la mauvaise direction pour une utilisation en débit ascendant. Pour une utilisation en débit ascendant, tirer sur les poignées rouges jusqu'à ce qu'elles se détachent. Faire tourner la poignée à 180° et la réinstaller sur la tige de manœuvre.

Position de service débit ascendant.



Position de dérivation débit ascendant.



Note au propriétaire du bâtiment

Le système OneFlow® améliorera les propriétés de l'eau dans tout le bâtiment. Voici certains effets auxquels il faut s'attendre et quelques recommandations permettant de tirer le meilleur parti des avantages du système OneFlow®.



Les éviers et la robinetterie ne doivent présenter que peu ou pas de taches. S'il est permis à l'eau de s'évaporer d'une surface, il peut rester de petites taches. Ces taches doivent s'enlever facilement avec un chiffon ou une éponge mouillée. Aucun produit chimique corrosif n'est requis, comme c'est le cas avec les



taches d'eau dure typiques.

Les taches sur la vaisselle et la surface du lave-vaisselle doivent être considérablement réduites ou éliminées. Il est recommandé de

réduire immédiatement la quantité de détergent pour lave-vaisselle d'environ 50 % par rapport à une utilisation avec de l'eau dure. Des détergents pour lave-vaisselle à faible teneur en phosphate sont recommandés car ils sont plus respectueux de l'environnement. Les phosphates peuvent créer des taches. Pour les zones à eau très dure, l'utilisation d'un produit de rinçage peut être



Les portes et les carrelages des douches ne doivent présenter que peu ou pas de taches. S'il est permis à l'eau de s'évaporer d'une surface, il peut rester de petites taches. Ces taches doivent s'enlever facilement avec un chiffon ou une éponge mouillée.

Dans la baignoire, noter que les savons et les shampooings moussent plus qu'avec de l'eau non traitée. Les savons et les shampooings se rincent également bien mieux et plus rapidement qu'avec de l'eau adoucie conventionnelle.

Il est recommandé d'utiliser des savons modernes pour de meilleurs résultats.

Surveiller les points suivants :

Durant les premiers 30 à 90 jours :

- Les aérateurs de robinets et les évacuations peuvent se boucher occasionnellement au fur et à mesure que l'ancien tartre est rejeté du système de plomberie et du chauffe-eau.
- De l'eau laiteuse peut également être présente lorsque le détartrage a lieu. Ceci représente simplement une augmentation du calcium dans l'eau car le système OneFlow® entraîne le détachement des anciens dépôts de tartre des tuyaux.

Bonnes pratiques :

Si le lave-vaisselle présente une couche épaisse de tartre lors de l'installation, il est recommandé de se procurer du nettoyant pour lave-vaisselle de type Jet-Dry® pour accélérer le nettoyage. Après ce nettoyage initial, le système OneFlow® doit permettre de maintenir la propreté du lave-vaisselle.

Il est également recommandé de vidanger l'eau du réservoir du chauffe-eau. Ceci devrait être effectué entre 30 et 60 jours suite à l'installation du système OneFlow® et 12 mois après cette vidange. Cette bonne pratique peut considérablement augmenter la durée de vie de votre appareil de chauffage de l'eau. Le système OneFlow® permet de maintenir le réservoir et les éléments chauffants exempt de tartre afin qu'ils fonctionnent à plein rendement. Suivre les instructions du fabricant lors de la vidange du réservoir!

Garantie limitée

- Le système de cuve OneFlow® est garanti exempt de vices de matériau et de main d'œuvre pour une durée de 5 ans à compter de la date d'expédition d'origine.
- Le média filtrant OneFlow® est garanti pour une période de 2 ans à compter de la date d'installation initiale lorsqu'il est installé et utilisé conformément aux instructions du manuel d'installation et de fonctionnement.

Watts Regulator Company garantit le système de cartouche OneFlow® de la façon suivante :

- Le système de cartouche OneFlow® est garanti exempt de vices de matériau et de main d'œuvre pour une durée d'un an à compter de la date d'expédition d'origine.
- Les cartouches OneFlow® sont garanties pour une période d'un an à compter de la date d'installation initiale lorsqu'elles sont installées et utilisées conformément aux instructions du manuel d'installation et de fonctionnement.
- Les cartouches de filtre au charbon de rechange ne sont pas garanties car la durée de vie des cartouches au charbon varie grandement en fonction des conditions et du volume de l'eau locale.

Conditions

1. Le système OneFlow® doit être installé dans des applications alimentées par l'eau municipale conformément au règlement de l'EPA.
2. Les défaillances de composant ne doivent pas être causées par un abus, un incendie, le gel ou d'autres phénomènes naturels, des actes de violence ou une installation erronée.
3. L'équipement doit être installé et utilisé conformément au code de plomberie en vigueur et avec une alimentation en eau approuvée.
4. L'équipement doit être utilisé à des pressions et des températures d'eau ne dépassant les spécifications indiquées.
5. La teneur en chlore de l'eau ne doit pas dépasser 2,0 ppm. Pour une eau présentant une teneur en chlore supérieure à 2,0 ppm, un pré-traitement de l'eau est requis. (Merci de contacter le spécialiste de traitement de l'eau.)
6. Les informations, incluant le numéro de modèle, le numéro de série et la date d'installation, doivent être fournies pour toute réclamation dans le cadre de la garantie.
7. Les pièces défectueuses seront soumises à une inspection par Watts Regulator Company ou par un représentant agréé avant que le recours en garantie final ne soit accepté.
8. Watts Regulator Company se réserve le droit de remplacer ou de changer les pièces ou l'équipement par un matériau de qualité et de valeur égales et en cours de production.

Limitations

Notre obligation dans le cadre de cette garantie et concernant la cuve ou le robinet est limitée au remplacement ou à la réparation, à notre choix, de toute pièce jugée défectueuse dans la période de garantie indiquée ci-dessus. Ces pièces de rechange seront fournies gratuitement au propriétaire FAB à l'usine la plus proche à l'exception des frais de transport et de main d'œuvre locale, le cas échéant.

Notre obligation dans le cadre de cette garantie par rapport au média filtrant OneFlow® sera limitée à son remplacement dans les deux années suivant la date d'installation d'origine. Le média filtrant de rechange sera fourni gratuitement au propriétaire FAB à l'usine la plus proche à l'exception des frais de transport et de main d'œuvre locale, le cas échéant. Les dommages du média filtrant dus au chlore, aux oxydants et à l'encrassement provoqués par les conditions de l'eau ou une utilisation en dehors des limites spécifiées ne sont pas couverts par cette garantie.

LA PRÉSENTE GARANTIE EST EXPRESSE ET REPRÉSENTE LA SEULE GARANTIE OFFERTE PAR WATTS REGULATOR COMPANY POUR CE PRODUIT. WATTS REGULATOR COMPANY N'OFFRE AUCUNE AUTRE GARANTIE EXPRESSE OU IMPLICITE. PAR LA PRÉSENTE, WATTS REGULATOR COMPANY REJETTE SPÉCIFIQUEMENT TOUTE AUTRE GARANTIE, EXPRESSE OU IMPLICITE, NOTAMMENT TOUTE GARANTIE IMPLICITE DE QUALITÉ MARCHANDE OU D'ADAPTATION À UN BUT PARTICULIER.

Le remède décrit dans cette garantie constitue le seul recours à toute rupture de la présente garantie et Watts Regulator Company ne saurait être tenue responsable de tout dommage spécial, accessoire ou consécutif, y compris, mais non exclusivement : le transport, la manutention, la perte de profits ou le coût afférent à la réparation ou au remplacement d'autres biens qui seraient endommagés par suite du fonctionnement incorrect dudit produit; d'autres coûts afférents aux frais de main-d'œuvre; délais, vandalisme, négligence, encrassement occasionné par la présence de matériau étranger; dommages résultant d'une eau impropre, de produits chimiques ou de tout autre événement sur lequel Watts Regulator Company ne saurait exercer le moindre contrôle. La présente garantie est déclarée nulle et non avenue en cas d'abus, de mésusage, d'application ou d'installation erronée de ce produit.

Certains États ou certaines Provinces n'autorisent pas la limite de durée d'une garantie implicite ou l'exclusion ou limite de dommages directs ou indirects. C'est pourquoi les limites ou exclusions susmentionnées peuvent ne pas s'appliquer à vous. Cette garantie vous donne des droits légaux précis et il se peut que vous ayez aussi d'autres droits qui varient d'une province, d'un état ou d'une juridiction à l'autre. Veuillez vous référer aux lois d'état ou de province applicables pour déterminer vos droits en la matière. DANS LA MESURE PERMISE PAR LA LOI, TOUTE GARANTIE IMPLICITE NE POUVANT PAS ÊTRE REJETÉE, Y COMPRIS LES GARANTIES IMPLICITES DE QUALITÉ MARCHANDE ET D'ADAPTATION À UN BUT PARTICULIER, SONT LIMITÉES AUX DURÉES DE GARANTIE APPLICABLES INDIQUÉES CI-DESSUS.

AVERTISSEMENT SUR LA PROPOSITION 65 DE LA CALIFORNIE

AVERTISSEMENT: Ce produit contient des produits chimiques reconnus par l'état de Californie comme étant cancérigènes et pouvant causer des malformations congénitales et d'autres dommages au système reproducteur. (La loi californienne exige que cet avertissement soit fourni à tous les clients de l'état de la Californie.)
Pour obtenir plus d'informations: www.watts.com/prop65



Une entreprise de Watts Water Technologies

IOM-OF744/844/948/1054/1252 1017



États-Unis : 815 Chestnut St., No. Andover, MA 01845-6098; www.watts.com
Canada : 5435 North Service Rd., Burlington, ONT. L7L 5H7; www.wattscanada.ca

Réf. EDP 1915998

© 2010 Watts