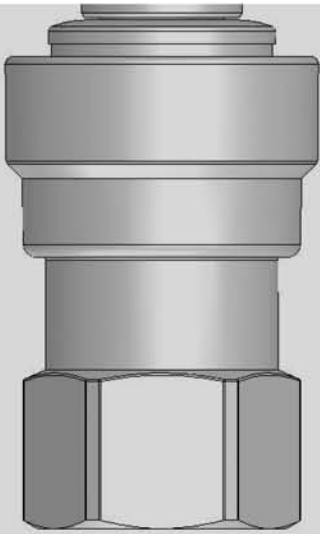
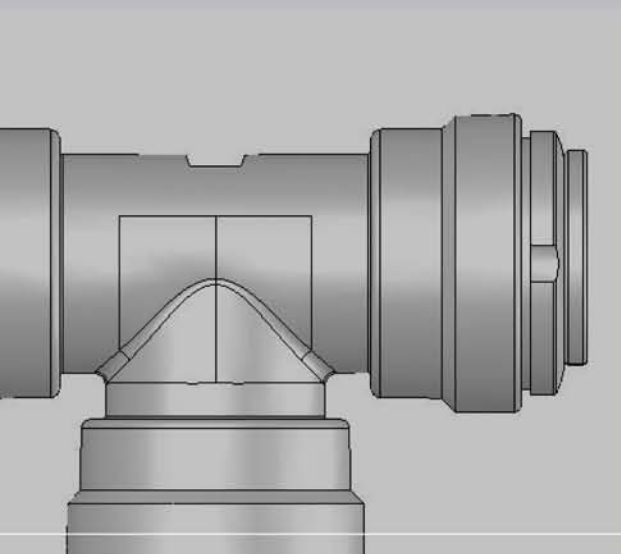


TITEGRIP™

QUICK CONNECT



QUICK CONNECT FITTINGS





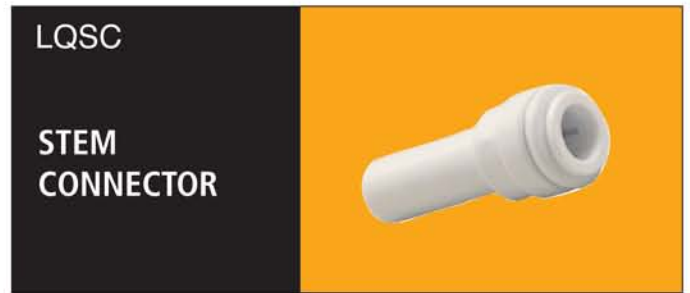
PART #	DESCRIPTION	BOX QTY
LQ100402W	1/4 Tube x 1/8 Male NPTF PP	500
LQ100404W	1/4 Tube x 1/4 Male NPTF PP	400
LQ100406W	1/4 Tube x 3/8 Male NPTF PP	400
LQ100604W	3/8 Tube x 1/4 Male NPTF PP	250
LQ100606W	3/8 Tube x 3/8 Male NPTF PP	250
LQ100608W	3/8 Tube x 1/2 Male NPTF PP	250
LQ100806W	1/2 Tube x 3/8 Male NPTF PP	150
LQ100808W	1/2 Tube x 1/2 Male NPTF PP	150



PART #	DESCRIPTION	BOX QTY
LQSA0402W	1/4 Stem x 1/8 Male NPTF PP	500
LQSA0404W	1/4 Stem x 1/4 Male NPTF PP	500
LQSA0604W	3/8 Stem x 1/4 Male NPTF PP	300



PART #	DESCRIPTION	BOX QTY
LQ400402W	1/4 Tube x 1/8 NPTF PP	500
LQ400404W	1/4 Tube x 1/4 NPTF PP	400
LQ400406W	1/4 Tube x 3/8 NPTF PP	300
LQ400606W	3/8 Tube x 3/8 NPTF PP	200
LQ400808W	1/2 Tube x 1/2 NPTF PP	150



PART #	DESCRIPTION	BOX QTY
LQSC0406W	1/4 Stem x 3/8 Tube Connector PP	
LQSC0604W	3/8 Stem x 1/4 Tube Connector PP	400
LQSC0806W	1/2 Stem x 3/8 Tube Connector PP	200



PART #	DESCRIPTION	BOX QTY
LQ7004W	1/4 Tube Union Tee PP	300
LQ7006W*	3/8 Tube Union Tee PP	100
LQ7008W*	1/2 Tube Union Tee PP	80
LQ700604W	3/8 Run x 3/8 Run x 1/4 Branch PP	150
LQ700806W*	1/2 Run x 1/2 Run x 3/8 Branch PP	50

LQCV

CHECK VALVE



PART #	DESCRIPTION	BOX QTY
LQCV400402W	1/4 Tube x 1/8 Fixed Elbow CV NPTF PP	500

LQPE

PLUG IN ELBOW



PART #	DESCRIPTION	BOX QTY
LQPE0404W	1/4 Stem x 1/4 Tube Plug In Elbow PP	500
LQPE0604W	3/8 Stem x 1/4 Tube Plug In Elbow PP	300
LQPE0606W	3/8 Stem x 3/8 Tube Plug In Elbow PP	200
LQPE0406W	1/4 Stem x 3/8 Tube Plug In Elbow PP	500

PT

POLYETHYLENE
TUBE



PART #	DESCRIPTION	BOX QTY
PT04-BK-0500	1/4 Polyethylene Tube - Black (500 ft Roll)	2
PT04-WH-0500	1/4 Polyethylene Tube - White (500 ft Roll)	2
PT04-BL-0500	1/4 Polyethylene Tube - Blue (500 ft Roll)	2
PT04-NA-0500	1/4 Polyethylene Tube - Natural (500 ft Roll)	2
PT04-RD-0500	1/4 Polyethylene Tube - Red (500 ft Roll)	2
PT04-OG-0500	1/4 Polyethylene Tube - Orange (500 ft Roll)	2
PT04-GN-0500	1/4 Polyethylene Tube - Green (500 ft Roll)	2
PT04-YL-0500	1/4 Polyethylene Tube - Yellow (500 ft Roll)	2
PT06-BK-0500	3/8 Polyethylene Tube - Black (500 ft Roll)	1
PT06-WH-0500	3/8 Polyethylene Tube - White (500 ft Roll)	1
PT06-BL-0500	3/8 Polyethylene Tube - Blue (500 ft Roll)	1
PT06-NA-0500	3/8 Polyethylene Tube - Natural (500 ft Roll)	1
PT08-BK-0250	1/2 Polyethylene Tube - Black (250 ft Roll)	1
PT08-WH-0250	1/2 Polyethylene Tube - White (250 ft Roll)	1
PT08-BL-0250	1/2 Polyethylene Tube - Blue (250 ft Roll)	1

LQFC

FAUCET
CONNECTOR



PART #	DESCRIPTION	BOX QTY
LQFC04W	1/4 Tube x 7/16-24 UNS Faucet Connector PP	250
LQFC06W	3/8 Tube x 7/16-24 UNS Faucet Connector PP	200

LQBV15

INLINE VALVE
TUBE TO TUBE



PART #	DESCRIPTION	BOX QTY
LQBV1504W	1/4 Tube x 1/4 Tube Straight Valve PP	50
LQBV1506W	3/8 Tube x 3/8 Tube Straight Valve PP	50
LQBV1508W	1/2 Tube x 1/2 Tube Straight Valve PP	50



PART #	DESCRIPTION	BOX QTY
LQBV100404W	1/4 Tube x 1/4 Male NPT Straight Valve PP	50
LQBV100606W	3/8 Tube x 3/8 Male NPT Straight Valve PP	50



PART #	DESCRIPTION	BOX QTY
LQ5004W	1/4 Tube Union Elbow PP	400
LQ5006W	3/8 Tube Union Elbow PP	200
LQ5008W	1/2 Tube Union Elbow PP	100
LQ500604W	3/8 Tube x 1/4 Tube Union Elbow PP	200



PART #	DESCRIPTION	BOX QTY
LQBV450404W	1/4 Tube x 1/4 Female NPT Elbow Valve PP	100
LQBV450604W	3/8 Tube x 1/4 Female NPT Elbow Valve PP	50



PART #	DESCRIPTION	BOX QTY
LQ1504W	1/4 Tube Union Connector PP	400
LQ1506W	3/8 Tube Union Connector PP	200
LQ1508W	1/2 Tube Union Connector PP	100
LQ150604W	3/8 Tube x 1/4 Tube Union Connector PP	200
LQ150806W	1/2 Tube x 3/8 Tube Union Connector PP	150



PART #	DESCRIPTION	BOX QTY
LQLC04R	1/4 Locking Clip Red	4000
LQLC06R	3/8 Locking Clip Red	3000
LQLC08R	1/2 Locking Clip Red	2000



PART #	DESCRIPTION	BOX QTY
LQFA0406F	1/4 Tube x 3/8 Male x 3/8 Female Angle Stop	50
LQFA0606F	3/8 Tube x 3/8 Male x 3/8 Female Angle Stop*	30
*with LQSC0406W,	1/4 Stem x 3/8 Tube Connector	

LQTL

**COLLET LOCKING/
RELEASE TOOL**



PART #	DESCRIPTION	BOX QTY
LQTL1438	Collet Locking/Release Tool 1/4, 3/8 Black	500
LQTL3812	Collet Locking/Release Tool 3/8, 1/2 Black	TBA

LQ20


BULKHEAD UNION



PART #	DESCRIPTION	BOX QTY
LQ200404W	1/4 Tube x 1/4 Tube Bulkhead Union PP	200
LQ200606W	3/8 Tube x 3/8 Tube Bulkhead Union PP	150

LQSS

STEM TO STEM



PART #	DESCRIPTION	BOX QTY
LQSS06	3/8 Stem x 3/8 Stem Adaptor PP	TBA

LQ25 - Brass

**BRASS QUICK
CONNECT FITTING**



PART #	DESCRIPTION	BOX QTY
LQ250604B	3/8 Tube x 1/4 Flare Female Adapter	100
LQ250606B	3/8 Tube x 3/8 Flare Female Adapter	100

LQES

END STOP



PART #	DESCRIPTION	BOX QTY
LQES04W	1/4 End Stop PP	500
LQES06W	3/8 End Stop PP	500

LQTC

TUBE CUTTER



PART #	DESCRIPTION	BOX QTY
LQTC	1/4, 3/8, 1/2 Tube Cutter	50

CHEMICAL SUBSTANCE COMPATIBILITY CHART

Liquatec Tite Grip Quick Connect Fittings are designed to be used primarily for water treatment applications. Included in this Chemical Compatibility Chart are a list of substances that may have been tested against the compatibility of the materials of construction of our fittings with the listed chemical substance. Customers are advised to conduct their own test under actual service conditions.

CHEMICAL	COMPATIBILITY
Acetic Acid 3%	Good
Acetone	Good
Air	Good
Ammonia - cold gas	Good
Ammonium Carbonate	Good
Ammonium Chloride	Good
Ammonium Nitrate	Good
Ammonium Sulfate 10% pH 5.8	Good
Amyl Alcohol	Satisfactory
Aniline	Satisfactory
Beer	Good
Benzaldehyde	Good
Borax	Good
Boric Acid	Good
Bromine Water	Unsuitable
Butane	Unsuitable
Butter	Good
Butyl Acetate	Satisfactory
Calcium Chloride	Good
Calcium Hypochlorite	Good
Carbon Tetrachloride	Unsuitable
Chlorine - dry	Unsuitable
Chlorine - wet	Unsuitable
Chloroform	Unsuitable
Chromic Acid 3%	Unsuitable
Citric Acid 10%	Satisfactory
Coke Oven Gas	Unsuitable
Cottonseed Oil	Unsuitable
Creosote	Satisfactory
Cyclohexanol	Satisfactory
Cyclohexanone	Good
Detergent Solution	Good
Dimethylformamide	Satisfactory
Ethyl Acetate	Satisfactory
Ethyl Alcohol 50%	Good
Ethyl Alcohol 95%	Good
Formaldehyde 40%	Satisfactory
Formic Acid 10%	Good
Glucose	Good
Glycerin	Good
Hydrobromic Acid	Good
Hydrochloric Acid 30%	Satisfactory
Hydrofluoric Acid - dilute	Good
Hydrofluoric Acid 40%	Good
Hydrogen Peroxide 3%	Satisfactory
Hydrogen Sulfide	Good
Lactic Acid 20%	Good
Linseed Oil	Good
Maleic Acid	Unsuitable
Mercury	Good
Methyl Chloride	Unsuitable
Milk	Good
Natural Gas	Unsuitable
Nickel Salts	Good
Nitric Acid 10%	Satisfactory
Nitric Acid - Concentrated	Unsuitable
Olive Oil	Satisfactory
Oxalic Acid	Good
Petrol	Unsuitable
Phosphoric Acid 20 - 25%	Good
Phosphoric Acid - Concentrated	Satisfactory
Potable Water	Good
Potassium Hydroxide 50%	Good
Propane	Unsuitable
Pyridine	Satisfactory
Salt Water	Good
Soap Solution	Good
Sodium Carbonate 10%	Good
Sodium Chloride 10%	Good
Sodium Hydroxide (Caustic Soda Solution)	Good
Sodium Hypochlorite (12.5% active Chlorine)	Satisfactory
Sodium Nitrite 10% pH 8.8	Good
Stearic Acid	Satisfactory
Sulfur	Good
Sulfur Chloride	Unsuitable
Sulfur Dioxide Gas	Good
Sulfuric Acid 3%	Good
Sulfuric Acid 10%	Good
Sulfuric Acid - concentrate	Unsuitable
Tar	Unsuitable
Tartaric Acid	Satisfactory
Toluene	Unsuitable
Trichloroethane	Unsuitable
Vegetable Oil	Satisfactory
Vinegar	Good
Zinc Salts	Good

TITE GRIP QUICK CONNECT FITTINGS TECHNICAL SPECIFICATIONS

MATERIAL OF CONSTRUCTION

Liquatec Tite Grip Fittings are made of three components:

- **Body:** FDA Approved Polypropylene
- **O-Ring:** EPDM
- **Collet:** Polypropylene and Stainless Steel Teeth

WORKING PRESSURE AND TEMPERATURE RANGE

TEMPERATURE		PRESSURE	
Max 70°F	20°C	100 psi	7 Bar
Min 33°F/1°C			

TUBING USE

Depending on the type of tube used, Tite Grip fittings may be used at higher pressures and temperatures. Liquatec Tite Grip Fittings can be utilized with the following tubing:

Plastic Tubing: Polypropylene, Polyethylene, nylon that conform to the specifications listed under tube tolerances.

Braided Hose: Barbs must be utilized with clamps and must incorporate Tube to Hose Stems;

Metal Tubing: Copper, Brass and Mild Steel that conforms to the tolerances listed under Tube Tolerances.

Metal Tubing (Hard): Tite Grip fittings are not designed for Hard Metal Tubing.

TUBE TOLERANCE

Tube OD		Tube ID
1/4"	X	0.160"
3/8"	X	0.240"
1/2"	X	0.355"
125 psi @ 150°F 8.6 bar @ 60°C		

CHEMICAL COMPATIBILITY

Liquatec Tite Grip Fittings can be used on liquids other than potable water. We recommend that you consult our Chemical Compatibility Chart to determine if they can be utilized under your specifications. Also you may contact us to further verify compatibility.

FOOD QUALITY

Liquatec Tite Grip Fittings are suitable for Food and Water use. They are manufactured using FDA Approved materials and are currently being tested to NSF standards 51 and 61. Liquatec Tite Grip Fittings are also NSF Certified under Standard 42 for Materials and Standard 58 as an R.O. Component.

MAXIMUM TORQUE VALUES

	Threads	
	1/8" - 1/4"	3/8" - 1/2"
Maximum Torque	1.0ft lbs 1.5Nm	2.2ft lbs 3.0Nm

RESPONSIBILITY OF USE/WARRANTY

Liquatec Products warrants our products against defects in manufacturing or materials. Tite Grip Fittings are Warranted for water use only unless specified in writing by Liquatec Products. It is the responsibility of the installer/user to ensure that the installation is made correctly, leak free and that it is adequately maintained.

DISTRIBUTED BY:

TITEGRIP™
QUICK CONNECT



**LIQUATEC
FAMILY
OF PRODUCTS**

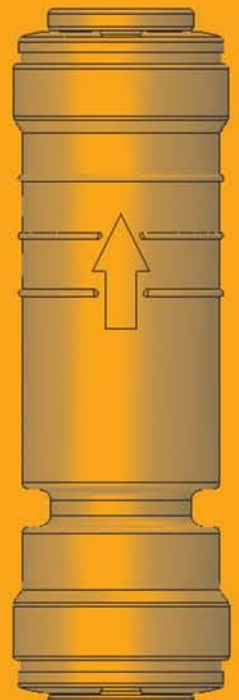
Liquatec Products is a leading manufacturer of high quality water filtration components. With more than 100 years of combined experience in different aspects of the filtration, purification and water treatment fields, you can rest assured that you will not only get the products that you need but will also benefit from the expertise that has brought us to the forefront of this highly competitive industry.

With increasing demands for reliable sources of treatment systems and components, our Research and Development team has focused on not only developing innovative components for the residential, commercial and light industrial markets, but also strives to assure that each component is manufactured with precision and accuracy time and time again.

With a growing line of NSF Certified, tested and listed products you can rest assured that **Liquatec Products** give you the peace of mind that you are getting the best possible products at the best possible prices. While others can boast that they are a single source supplier, only **Liquatec Products** can deliver as your Single Source Manufacturer of quality components without being your closest competitor.

We at **Liquatec Products** believe that Customer Service is the key to your success. This is why we go the extra mile to provide you with quality components equaled only by our unparalleled service and attention to detail. We are not your average company, so it is only safe to say that our product and service are far from average. In a nutshell, our goal is to be your primary source for all of your water filtration component needs. Once you work with us you will understand why the **Liquatec** Family of Products is the Superior Choice in Water Filtration Components.

your single source manufacturer



Liquatec
products

P.O. Box 2637 Chino Hills, CA 91709 USA
www.Liquatec.com
sales@Liquatec.com