

# Fulflo® SF Multi-Cartridge Filter Vessel

ASME code, high flow rate filter vessel

Fulflo® SF multi-cartridge filter vessels meet a broad range of liquid and gas applications. All details of design, materials, construction and workmanship of the SF vessel series conform to ASME code.

The SF Vessel Series accommodates double-open-end (DOE) and single-open-end (SOE) cartridges in 10 in., 20 in., 30 in. and 40 in. equivalents.



## Contact Information

Parker Hannifin Corporation  
**Industrial Process Filtration - N.A.**  
118 Washington Avenue  
Mineral Wells, TX 76067

phone +1 940 325 2575  
industrialprocess.na@parker.com

[www.parker.com/industrialprocess](http://www.parker.com/industrialprocess)

## Benefits

- Designed and fabricated in accordance with the ASME Boiler and Pressure Vessel Code, U or UM stamp
- Mechanical coverlifts of carbon steel construction standard on models SF12 and SF19
- Designed for minimum pressure drop
- External welded attachments on stainless steel models are also stainless steel
- Dual purpose cartridge seats for use with double open end & 2-222 O-ring single open end cartridges

- All SF models feature swing bolts with eyenuts for easier cleaning & servicing
- O-ring seals provide positive closure
- Hydraulic coverlifts optional on SF12 and SF19 models

## Applications

- Water
- Concentrated Alkalies
- Dilute Acids & Alkalies
- Mineral Acids
- Organic Acids
- Oxidizing Agents
- Solvents
- Petroleum Oils
- Potable Liquids
- Photo Solutions



ENGINEERING YOUR SUCCESS.

# Fulflo® SF Filter Vessels

## Design Specifications

No. & Model	Cartridges		Flow (gpm)	Dimensions (in.)									Shipping Weight (lbs.)
	Qty.	Length (in.)		A†	B	C	D	E	F	G	H	J††	
SF3-1-2F	3	10	15	26.69	12.69	6.63 OD	8.19	16.19	5.00	11.31	5.81	2	125
SF6-1-2F	6	10	30	26.94	14.88	8.63 OD	8.19	16.19	5.06	11.31	7.81	2	180
SF6-2-2F	6	20	60	37.00	14.88	8.63 OD	8.19	16.19	5.06	11.31	7.81	2	185
SF6-3-2F	6	30	90	47.06	14.88	8.63 OD	8.19	16.19	5.06	11.31	7.81	2	200
SF6-4-3F	6	40	120	58.50	14.88	8.63 OD	8.19	16.19	5.06	12.00	7.81	3	220
SF12-3-3F	12	30	180	53.75	20.50	12.06 ID	13.38	21.00	5.00	17.88	11.68	3	310
SF12-3-4F	12	30	180	53.75	20.50	12.06 ID	13.38	21.00	5.00	17.88	11.68	4	315
SF12-4-4F	12	40	240	60.31	20.50	12.06 ID	13.38	21.00	5.00	17.88	11.68	4	330
SF19-3-4F	19	30	285	50.19	23.50	15.06 ID	13.38	21.00	5.00	17.88	14.75	4	420
SF19-4-4F	19	40	380	60.31	23.50	15.06 ID	13.38	21.00	5.00	17.88	14.75	4	440

† Add 5 inches to this dimension for hydraulic coverlift. †† Inlet and outlet size standard ASA flanges.

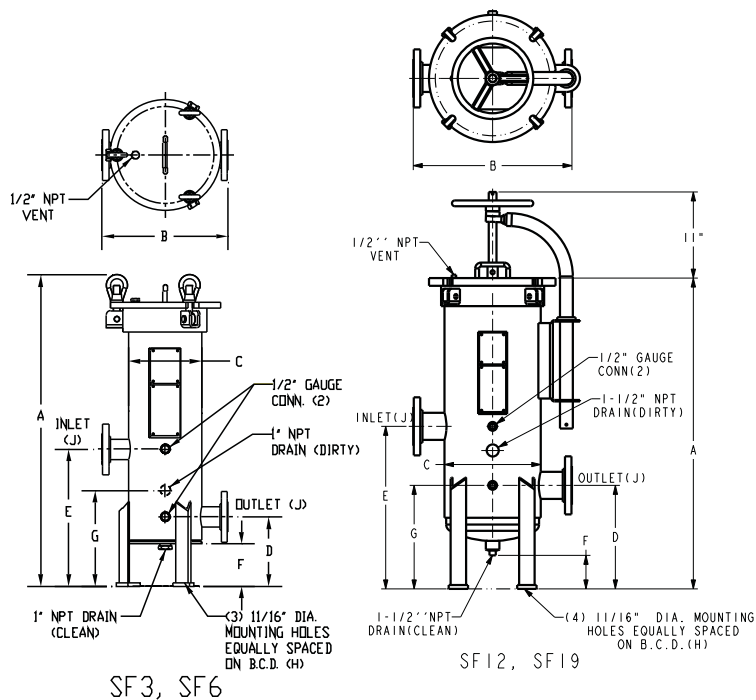
## Maximum Operating Conditions

Material of Construction	Max. Operating Pressure (psi @ 250 °F)†	Max. Design Temp.††	Configs.
Carbon Steel	150psi (10.3bar)	500°F (260°C)	SF
Carbon Steel	300psi (20.7bar)	500°F (260°C)	HSF
304 Stainless Steel	150psi (10.3bar)	300°F (150°C)	SF
304 Stainless Steel	300psi (20.7bar)	300°F (150°C)	HSF
316 Stainless Steel	150psi (10.3bar)	400°F (204°C)	SF
316 Stainless Steel	300psi (20.7bar)	400°F (204°C)	HSF

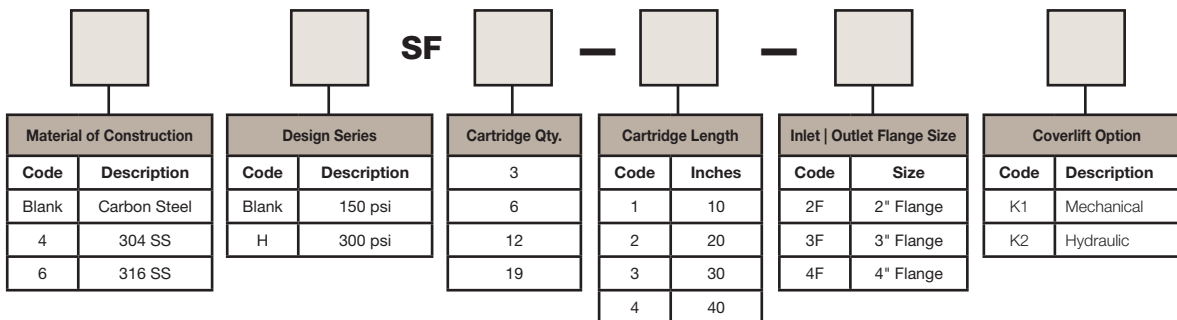
† Operating temperature limited by standard O-ring material and exterior paint.

Optional Shell O-Ring/Gasket*					
Model	Part #				
	Buna-N	EPDM	Viton®	Fluoropolymer	Fluoropolymer encapsulated Viton®
3 round	4151-1366	-	4152-8366	4151-5366	-
6 round	4151-1374	4154-5374	4152-8374	4151-5374	-
12 round	4151-1454	4154-5454	4152-8454	4151-5454	4150-5379
19 round	4151-1460	4154-5460	4152-8460	4151-5460	-

\*Optional O-ring shipped separately



## Ordering Information



Specifications are subject to change without notification. For User Responsibility Statement, see [www.parker.com/safety](http://www.parker.com/safety)

© 2017 Parker-Hannifin Corporation  
Industrial Process Filtration - North America  
All Rights Reserved

Fulflo is a registered trademark of Parker-Hannifin Corporation  
Viton is a registered trademark of E.I. DuPont de Nemours & Co., Inc.

