

EH Single Cartridge Filter Vessel

304 & 316L stainless steel, commercial (non ASME code) design

The EH non-code single cartridge filter vessels provide economical filtration of a wide variety of liquids in a lightweight, small profile, clamp closure design.

The EH vessels accept a single 10" or 20" long, double open end (DOE) or 222 single open end (SOE) filter cartridge. A 226 option is also available.

These vessels are manufactured from polished stainless steel and rated for 100 psi (6.9 bar).



Contact Information

Parker-Hannifin Corporation
Bioscience & Water Filtration Division
2340 Eastman Avenue
Oxnard, California, USA 93030

toll free +1 877 784 2234
phone +1 805 604 3400
fax +1 805 604 3401
bioscience.na@parker.com

www.parker.com/bioscience

Benefits

- Convertible design allows for the use of both DOE and 222 SOE cartridges. A 226 option is also available
- Clamped o-ring closure seal provides quick and positive seal
- In-line 1" FNPT threaded pipe connections for easy installation
- Head mounting kit included
- EPDM seals are standard with other material options available

Applications

- Potable Water
- Lubricants
- Process Water
- Coolants
- Edible Oils
- Cutting Oils
- Coatings
- Solvents



ENGINEERING YOUR SUCCESS.

EH Single Cartridge Filter Vessel

Number of Cartridges

(1) x 10" or 20" lg x 2.75" Max OD

Connection sizes

1" NPT inlet & outlet

1/4" NPT vent & drain

Material of Construction	Max. Allowable Pressure (MAP) (psi @ MAT °F)	Max. Allowable Temp. (MAT) (°F @ MAP psi)
304/316L SST	100 psi (6.9 bar)	300°F (149°C)

Typical aqueous flow	
Length Code	Capacity (gpm)
S	5
D	10

O-ring Temperature Guide	
Material	Max. Temp.
Nitrile (Buna-N)	250°F (121°C)
EPDM (EPR)*	300°F (149°C)
FKM (Viton®)	400°F (204°C)**

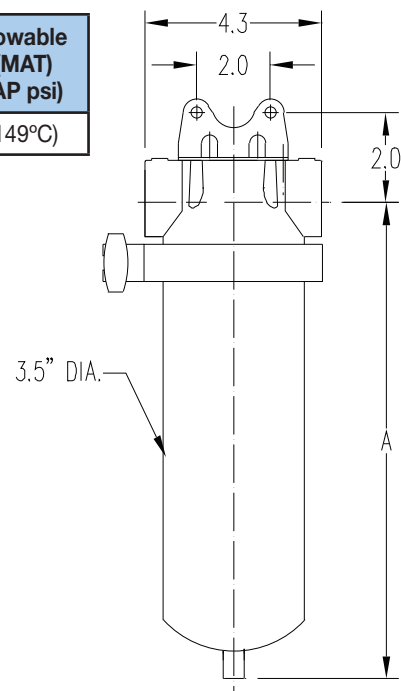
* EPDM o-ring is standard
 **Vessel temperature limited to 300°F (149°C)

Cartridge Configurations	
222 O-ring SOE	PP spring closed end**
226 O-ring SOE	Flat*
DOE	Standard

*Not recommended for 222 style
 **Not required for 226 style

Length Code	A*	Weight (lbs)
S	14	9
D	24	11

*Add 1" for 226



Ordering Information

EH	<input type="text"/>	01	<input type="text"/>	<input type="text"/>	-	<input type="text"/>		
Material of Construction		Cartridge Qty.	Element Length		Inlet/Outlet Connection		Cartridge Style	
Code	Description	1	Size	Inches	Code	Size	Code	Style
G	304 SST		S	10	1T	1" NPT	Blank	DOE/SOE 222
S	316L SST		D	20			226*	226 bayonet

*10" housing available in 304SS & 316SS, 20" housing in 304SS only

Replacement Parts	
Part Number	Description
4150-5836-E	O-ring, Cover EPDM
4150-5836-N	O-ring, Cover Buna-N
4150-5836-V	O-ring, Cover FKM (Viton®)
1390-5046	Clamp 304SS
0720-5301	Center Rod 10" - 304SS
0720-5307	Center Rod 10" - 316SS
0720-5302	Center Rod 20" - 304SS
0720-5308	Center Rod 20" - 316SS
0821-5526	Mounting Bracket - 304SS
5830-5194	Spring Seal Assembly - 304SS
5830-5195	Spring Seal Assembly - 316SS
5320-5401	Seal Nut 304SS
5320-5407	Seal Nut 316SS

Specifications are subject to change without notification.
 For User Responsibility Statement, see www.parker.com/safety

© 2017 Parker-Hannifin Corporation
 Bioscience & Water Filtration Division
 All Rights Reserved

Viton is a registered trademark of E.I. DuPont de Nemours & Co., Inc.

DS_IP_EH Single Filter Vessel 2/14 Rev. F

