

EB Multi-Bag Filter Vessel

304 stainless steel, commercial
(non ASME code) design

The EB non ASME code multi-bag filter vessels provide economical filtration of a wide variety of liquids in a bottom-in bottom-out, externally polished stainless steel design.

Features include a swing bolt secured, quick opening cover and individual internal bag sealing devices.

EB multi-bag vessels accommodate #2 (double length) Parker "G" style bags with a 7" diameter rim.

These vessels are manufactured from polished and passivated 304 stainless steel and rated for 150 psi (10.3 bar). For added corrosion resistance, all cover bolt, cover davit and mounting legs are also stainless steel.



Contact Information

Parker-Hannifin Corporation
Bioscience & Water Filtration Division
2340 Eastman Avenue
Oxnard, California, USA 93030

toll free +1 877 784 2234
phone +1 805 604 3400
fax +1 805 604 3401

bioscience.na@parker.com

www.parker.com/bioscience

Benefits

- Swing bolted o-ring closure seal provides quick and positive seal and easy access to the vessel interior and filter bags.
- ANSI B16.5 flanged inlet & outlet connections
- EPDM seals are standard with other material options available
- Standard threaded FNPT vent and drains
- Standard stainless steel closure bolt hardware
- Polished exterior and pickle passivate interior/exterior for enhanced corrosion resistance
- Bottom in-line connection design

Applications

- Potable Water
- Cutting Oils
- Solvents
- Coolants
- Process Water
- Coatings
- Lubricant

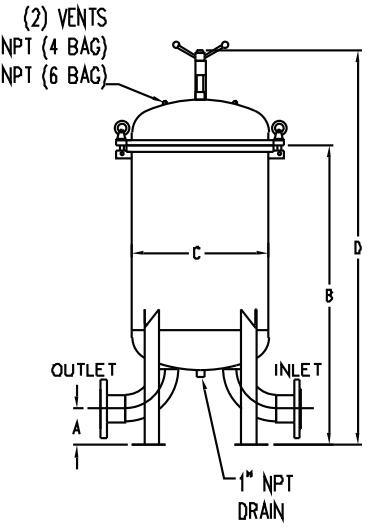
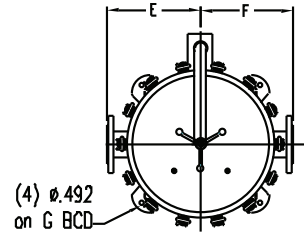


ENGINEERING YOUR SUCCESS.

EB Multi-Bag Filter Vessel

Material of Construction	Max. Allowable Pressure (MAP) (psi @ MAT °F)	Max. Allowable Temp. (MAT) (°F @ MAPpsi)
304 Stainless	150 psi (10.3 bar)	300°F (149°C)

Optional O-Ring/Gasket*				
Material	4 round		6 round	
	Cover seal part #	Basket seal part #	Cover seal part #	Basket seal part #
Nitrile (Buna-N)	4150-5839-N	4150-5834-N	4150-5841-N	4150-5834-N
EPDM (EPR)**	4150-5839-E	4150-5834-E	4150-5841-E	4150-5834-E
FKM (Viton®)	4150-5839-V	4150-5834-V	4150-5841-V	4150-5834-V



*Optional O-ring shipped separately
**EPDM o-ring is standard.

Typical aqueous flow*		
Model	Bag Qty.	Capacity (gpm)
EBG_4	4 x #2	640
EBG_6	6 x #2	960

*Based on 160 gpm water per #2 double bag

Vessel dimensions								
Model	A	B	C	D	E	F	G	Weight (lbs)
EBG4D4F	5.94	46.06	21.88	62.00	16.00	16.00	27.75	419
EBG6D6F	7.09	53.13	27.81	70.69	17.44	17.44	33.94	660

Ordering Information

4 Bag Vessel

Material of Construction		Bag		Bag Length		Inlet/Outlet Connection	
Code	Description	Code	Qty.	Size	Inches	Code	Size
G	304 SST	4	4	D	31.5	4F	4" Flange

6 Bag Vessel

Material of Construction		Bag		Bag Length		Inlet/Outlet Connection	
Code	Description	Code	Qty.	Size	Inches	Code	Size
G	304 SST	6	6	D	31.5	6F	6" Flange

Replacement Parts

Model(s)	Part Number	Description
All	2390-5004	Cover Bolt Assembly†
All	4150-5834-E	O-ring, Basket EPDM
All	4150-5834-N	O-ring, Basket Buna-N
All	4150-5834-V	O-ring, Basket FKM (Viton®)
All	0370-5325	Basket, Double Length - 304SS
All	5260-5241	Davit Screw
All	2880-5024	Davit Wing Handle
All	5020-5249	Retainer Bag - 304SS
All	5020-5255	Retainer Bag - 316SS
EBG4	4150-5839-E	O-ring, Cover EPDM
EBG4	4150-5839-N	O-ring, Cover Buna-N
EBG4	4150-5839-V	O-ring, Cover FKM (Viton®)
EBG4	4452-5170	Davit Arm
EBG6	4150-5841-E	O-ring, Cover EPDM
EBG6	4150-5841-N	O-ring, Cover Buna-N
EBG6	4150-5841-V	O-ring, Cover FKM (Viton®)
EBG6	4452-5171	Davit Arm

† Bolt assembly includes 1 each bolt, nut, washer, pin and retainer.

Specifications are subject to change without notification.
For User Responsibility Statement, see www.parker.com/safety

© 2017 Parker-Hannifin Corporation
Bioscience & Water Filtration Division
All Rights Reserved

Fulfilo is a registered trademark of Parker-Hannifin Corporation
Viton is a registered trademark of E.I. DuPont de Nemours & Co., Inc.

DS_IP_EB Multi Bag Vessel 2/14 Rev. D

