

# EB Single Bag Filter Vessel

304 & 316L stainless steel, commercial (non ASME code) design

The EB non ASME code single bag filter vessels provide economical filtration of a wide variety of liquids in a lightweight, externally polished stainless steel design. Features include a secured swing bolt quick open cover and an internal positive pressure bag hold down device.

EB single bag vessels are available to accommodate common industrial filter bag sizes 1, 2, 3 and 4.

These vessels are manufactured from polished and passivated stainless steel and rated for 150 psi (10.3 bar). For added corrosion resistance, all cover bolt and leg mounting hardware is made from stainless steel as well.



## Contact Information

Parker-Hannifin Corporation  
**Bioscience & Water Filtration Division**  
2340 Eastman Avenue  
Oxnard, California, USA 93030

toll free +1 877 784 2234  
phone +1 805 604 3400  
fax +1 805 604 3401

[bioscience.na@parker.com](mailto:bioscience.na@parker.com)

[www.parker.com/bioscience](http://www.parker.com/bioscience)

## Benefits

- Swing bolted o-ring closure seal provides quick & positive seal with easy access to the vessel interior and filter bag
- Both FNPT threaded and flanged connections are available in specific models
- NPT models offers dual 2" outlet ports on bottom and side locations
- EPDM seals are standard with other material options available
- Standard threaded FNPT vent & drains
- Standard stainless steel closure bolt hardware
- Polished exterior & pickle passivate interior/exterior for enhanced corrosion resistance
- Mounting legs are adjustable, providing flexibility for installation height & orientation
- Hinged cover for ease of use

## Applications

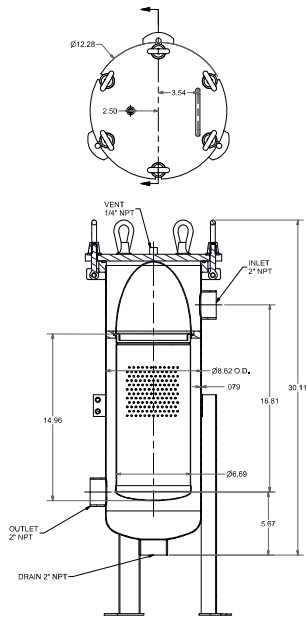
- Potable Water
- Cutting Oils
- Solvents
- Coolants
- Process Water
- Coatings
- Lubricant



ENGINEERING YOUR SUCCESS.

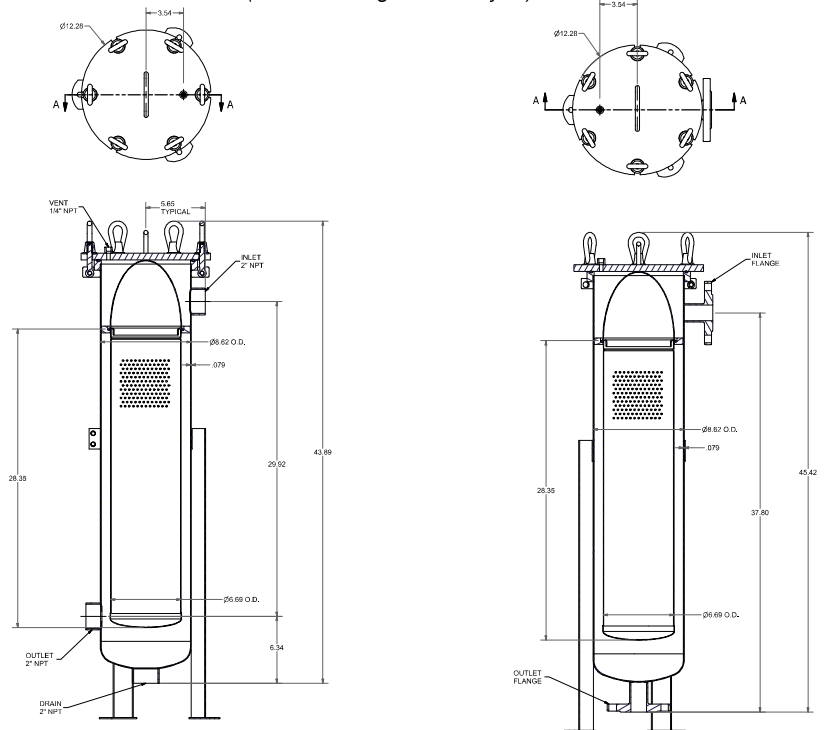
# Fulflo® EB Single Bag Filter Vessel

## SIZE S



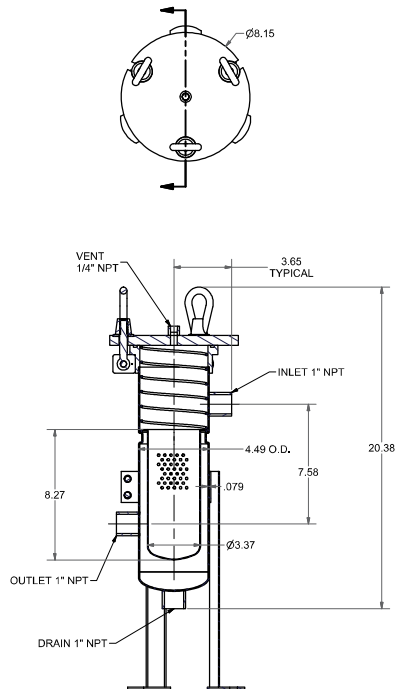
Vessel designed to use (1) #1  
Parker 'G' style bag with 7-1/4" diameter rim  
Inlet elevation adjustable from approx. 21" to 33"

## SIZE D (shown in flange & NPT styles)



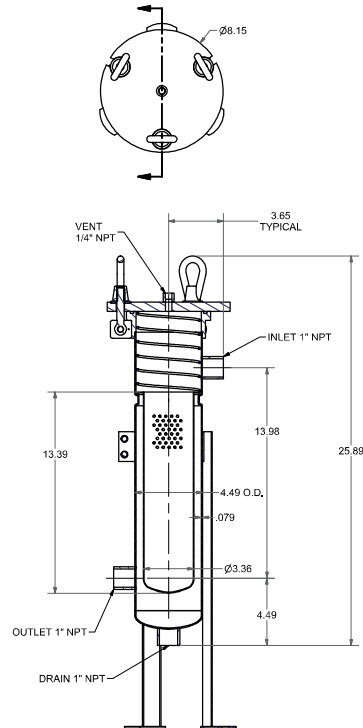
Vessel designed to use (1) #2  
Parker 'G' style bag with 7-1/4" diameter rim  
Inlet elevation adjustable from approx. 37" to 53"

## SIZE 3



Vessel designed to use (1) #3  
Parker 'G' style bag with 4-1/4" diameter rim  
Inlet elevation adjustable from approx. 15" to 19"

## SIZE 4



Vessel designed to use (1) #4  
Parker 'G' style bag with 4-1/4" diameter rim  
Inlet elevation adjustable from approx. 19" to 30"

# Fulflo® EB Single Bag Filter Vessel

Material of Construction	Max. Allowable Pressure (MAP) (psi @ MAT °F)	Max. Allowable Temp. (MAT) (°F @ MAP psi)
304 & 316L SST	150 psi (10.3 bar)	300°F (149°C)

Optional O-Ring/Gasket		
Material	Cover seal part #	Basket seal part #
Nitrile (Buna-N)	4150-5835-N	4150-5834-N
EPDM (EPR)*	4150-5835-E	4150-5834-E
FKM (Viton®)	4150-5835-V	4150-5834-V**

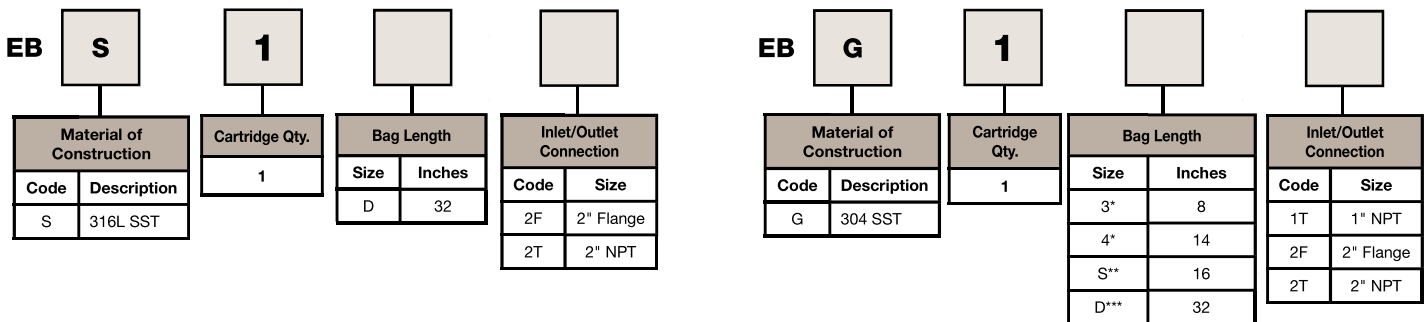
\*EPDM o-ring is standard. O-ring installed under cover and basket rim  
 \*\*Vessel temperature limited to 300°F (149°C)

## Typical Aqueous Flow

Based on 160 gpm water per #2 double bag & 80 gpm per #1 single bag

Ordering Configurations (Size 1 & 2)							
Part #	Material	Industry Size	Bag Length	Bag Diameter (in.)	Connection	Features	Weights (lbs.)
EBG1S2T	304 SS	1	16	7	2" NPT	Side in/bottom out or side out design with adjustable legs	64
EBG1D2T	304 SS	2	32	7	2" NPT	Side in/bottom out or side out design with adjustable legs	82
EBG1D2F	304 SS	2	32	7	2" Flange	Side in/bottom out with adjustable legs	82
EBS1D2T	316L SS	2	32	7	2" NPT	Side in/bottom out or side out design with adjustable legs	82
EBS1D2F	316L SS	2	32	7	2" Flange	Side in/bottom out with adjustable legs	82
Ordering Configurations (Size 3 & 4)							
EBG131T	304SS	3	8	4	1" NPT	Side in/bottom out or side out design with adjustable legs	24
EBG141T	304SS	4	14	4	1" NPT	Side in/bottom out or side out design with adjustable legs	29

## Ordering Information



\* Only avail. in 1" NPT  
 \*\* Only avail. in 2" NPT  
 \*\*\* Only avail. in 2" NPT & 2" Flange

Size S (1) & D (2) Replacement Parts	
Part Number	Description
2390-5003	Cover Bolt Assembly <sup>†</sup>
4150-5835-E	O-ring, Cover EPDM
4150-5835-N	O-ring, Cover Buna-N
4150-5835-V	O-ring, Cover FKM (Viton®)
4150-5834-E	O-ring, Basket EPDM
4150-5834-N	O-ring, Basket Buna-N
4150-5834-V	O-ring, Basket FKM (Viton®)
0370-5325	Basket, Double Length - 304SS
0370-5343	Basket, Double Length - 316SS
5020-5248	Retainer Bag - 304SS
5020-5254	Retainer Bag - 316SS
3420-5492	Leg Assembly Size 2 - 304SS
3420-5495	Leg Assembly Size 1 - 304SS

<sup>†</sup>Bolt assembly includes 1 each bolt, nut, washer, pin & retainer.

Size 3 & 4 Replacement Parts	
Part Number	Description
2390-5003	Cover Bolt Assembly <sup>†</sup>
4154-5350	O-ring, Cover EPDM
4151-1350	O-ring, Cover Buna-N
4152-8350	O-ring, Cover FKM (Viton®)
4154-5155	O-ring, Basket EPDM
4151-1155	O-ring, Basket Buna-N
4152-8155	O-ring, Basket FKM (Viton®)
0370-5366	Basket, #3
0370-5367	Basket, #4
5830-6004	Spring Retainer
3420-5493	Leg Assembly #3 - 304SS
3420-5494	Leg Assembly #4 - 304SS

<sup>†</sup>Bolt assembly includes 1 each bolt, nut, washer, pin & retainer.

Optional Mesh Lined Baskets				
Mesh Rating	Micron Rating	Inches	Size 1	Size 2
			Part#	Part#
10	2000	0.0787	0370-5357	0370-5351
20	841	0.0331	0370-5358	0370-5346
40	400	0.0165	0370-5359	0370-5354
60	250	0.0098	0370-5360	0370-5355
80	177	0.007	0370-5361	0370-5356
100	149	0.0059	0370-5362	0370-5347
150	89	0.0035	0370-5363	0370-5349
200	74	0.0029	0370-5364	0370-5348

Specifications are subject to change without notification.  
 For User Responsibility Statement, see [www.parker.com/safety](http://www.parker.com/safety)

© 2017 Parker-Hannifin Corporation  
 Bioscience & Water Filtration Division  
 All Rights Reserved  
 Fulflo is a registered trademark of Parker-Hannifin Corporation  
 Viton is a registered trademark of E.I. DuPont de Nemours & Co., Inc.

