

ELKAY[®]

SPECIFICATIONS

No Lead Countertop Drinking Fountain Model DRKR10C

GENERAL

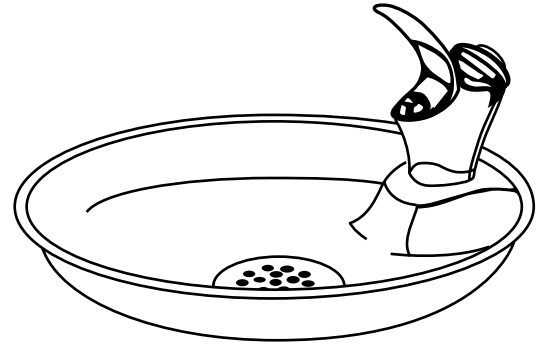
#20 gauge, type 304, nickel bearing stainless steel drinking fountain complete with push-button bubbler designed for mounting in countertop.

NO LEAD DESIGN

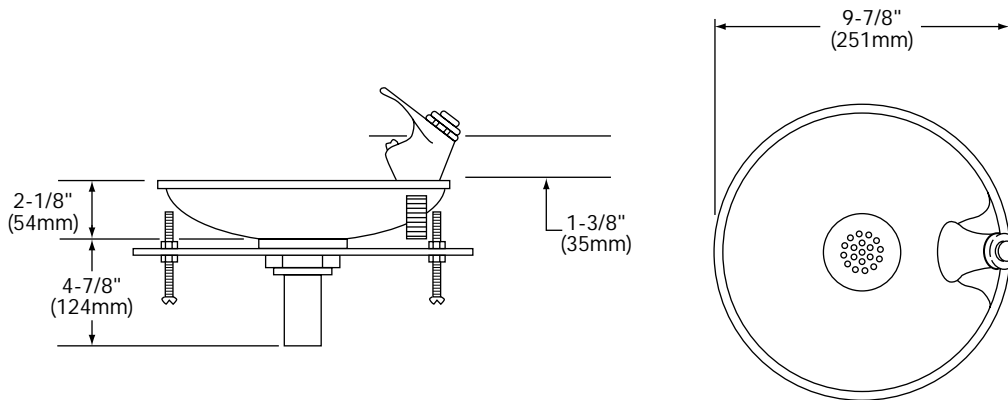
THIS DRINKING FOUNTAIN COMPLIES WITH THE LEAD-FREE DEFINITION IN THE SAFE DRINKING WATER ACT OF 1986 AND LEAD CONTAMINATION CONTROL ACT OF 1988.

LK142 Bubbler is constructed of completely lead-free material.

This drinking fountain is certified to **ANSI/NSF61**.



Model DRKR10C



In keeping with our policy of continuing product improvement, Elkay reserves the right to change product specifications without notice.

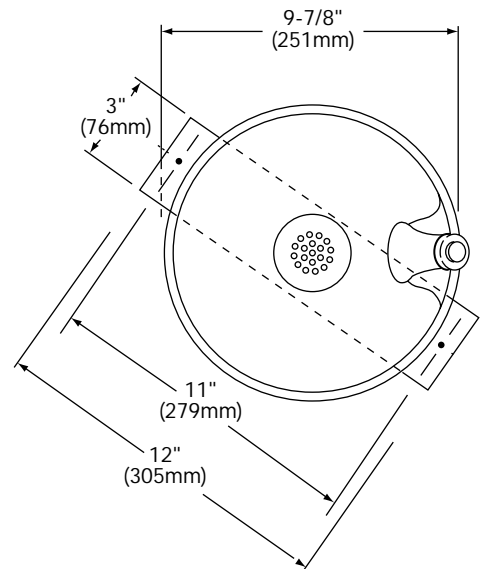
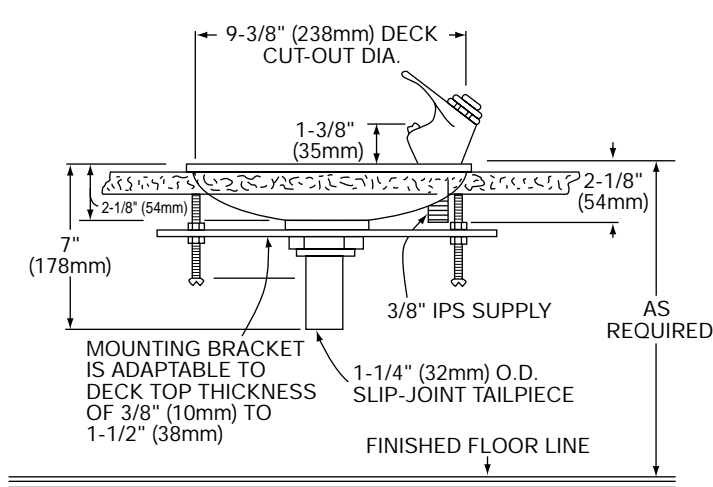
This specification describes an Elkay product with design, quality and functional benefits to the user. When making a comparison of other producers' offerings, be certain these features are not overlooked.

No Lead Countertop Drinking Fountain
Model DRKR10C

ELKAY®
PARTS LIST

INSTALLER NOTE

THIS DRINKING FOUNTAIN IS FURNISHED WITH A BUBBLER AND VALVE INCLUDING ALL CONNECTING FITTINGS WHICH ARE MANUFACTURED OF COMPLETELY LEAD FREE MATERIAL. IT IS RECOMMENDED THAT SHUT OFF VALVE AND SUPPLY TUBING SUPPLIED BY OTHERS BE NON-METALLIC.



NOTE: ROUGH-IN DIMENSIONS MAY VARY 1/2" (13mm) PLUS OR MINUS. BUBBLER CAN BE MOUNTED ON RIGHT OR LEFT AS DESIRED.